

3/8" NPT Stainless Steel 2-Way Direct Acting Normally Open

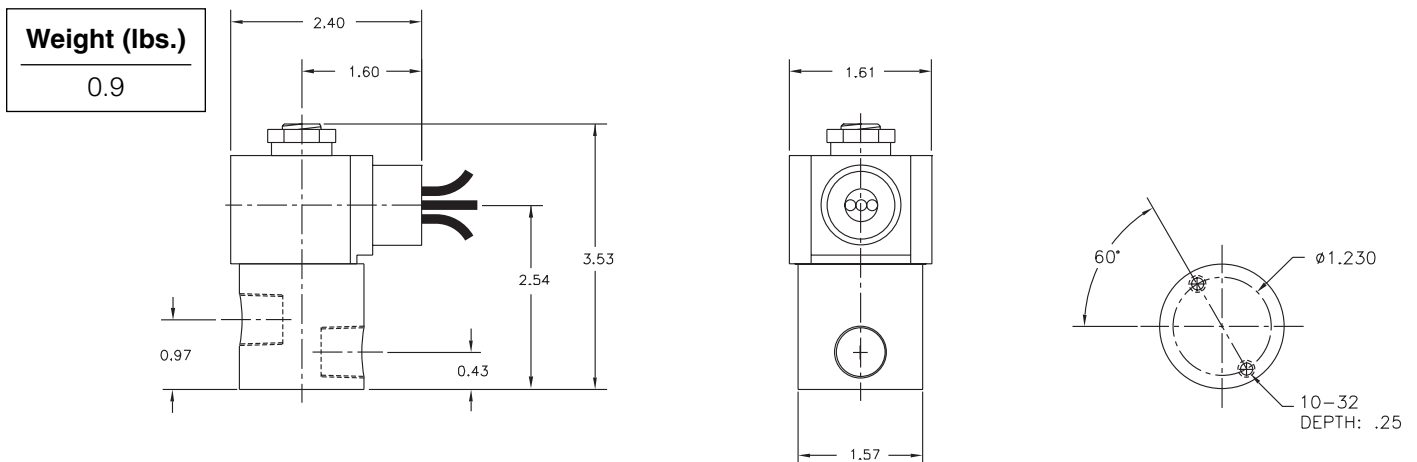


Materials	Seals:	Nitrile, Viton®, Ethylene Propylene, Teflon®, Rulon
	Orifice:	Stainless Steel
Electrical	Standard Housing:	Encapsulated Waterproof Conduit (NEMA 4/4X)
	Optional Housings:	Metallic Conduit, Explosion-proof (NEMA 7), Grommet, Open Frame, Junction Box (single or dual knockouts), DIN; Contact GC Valves Customer Service for others.
	Standard Voltages:	24, 120, 240 AC 60 Hz; 50 Hz available 6, 12, 24 DC; Contact GC Valves Customer Service for Additional Voltages.
	Voltage Tolerance:	±10% of applicable voltage
	Coil Classes:	F, H, N
	Standard Lead Length:	24 inch
Operating Temperature	Ambient (Nominal):	32°F to 125°F
Mounting	Position:	Any
Approvals*	Agency:	UL Listed, UL Recognized, CSA Approved

* Not available for all variations

© Registered Trademark of DuPont Co.

Dimensions/Weight



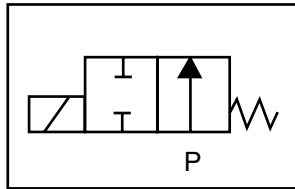
GC Valves Customer Service: 800-828-0484 (7:30am to 4pm ET) or 800-582-4232 (7:30am to 4pm PT)



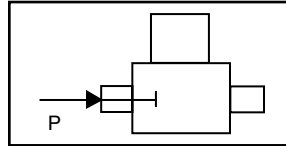
S312 – 3/8" NPT, Stainless Steel Body, Normally Open

Valve Selection List

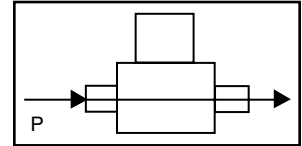
Normally Open



Energized



De-Energized



Pipe Size NPT	Orifice Size in.	C _v	Operating Pressure Differential (psi)										Max Fluid Temp. °F	Seal Material	Power Consumption (Watts)		Model Code (120V/60HZ — 110V/50HZ Shown)
			Maximum												AC	DC	
			Air/Gas		Water		Light Oil		Steam*								
			AC	DC	AC	DC	AC	DC	AC	DC	AC	DC					
3/8	1/8	.30	0	60	60	60	60	—	—	60*	60*	295	EPR	8	9	S312GF02C3CD5	
	3/16	.65	0	30	30	30	30	—	—	30*	30*	295	EPR	8	9	S312GF02C3CE1	
3/8	1/8	.30	0	60	60	60	60	60	60	—	—	180	Nitrile	8	9	S312GF02N3CD5	
	3/16	.65	0	30	30	30	30	30	30	—	—	180	Nitrile	8	9	S312GF02N3CE1	
3/8	1/8	.30	0	60	60	60	60	60	60	—	—	230	Viton	8	9	S312GF02V3CD5	
	3/16	.65	0	30	30	30	30	30	30	—	—	230	Viton	8	9	S312GF02V3CE1	
3/8	1/8	.30	0	60	60	60	60	60	60	60*	60*	366	Rulon	8	9	S312GF02R3CD5	
	3/16	.65	0	30	30	30	30	30	30	30*	30*	366	Rulon	8	9	S312GF02R3CE1	
3/8	1/8	.30	0	60	60	60	60	60	60	60*	60*	366	Teflon	8	9	S312GF02T3CD5	
	3/16	.65	0	30	30	30	30	30	30	30*	30*	366	Teflon	8	9	S312GF02T3CE1	

* Class H Coil Recommended for Steam and Other High Temperature Applications

S312 – 3/8" NPT, Stainless Steel Body, Normally Open



Part Numbering

1	2	3	4	5	6	7	8	9	10	11	12	13
S	3	1	2	G	F	0	2	C	3	C	D	5
Series			Operating Mode	Housing*	Coil Class*	Voltage*		Seal Material	Body Material	Pipe Connection	Orifice Size	
S31			2: Normally Open	G: Conduit	F: Class F H: Class H	02: 120/60 110/50		C: EPR N: Nitrile V: Viton R: Rulon T: Teflon	3: Stainless Steel	C: 3/8" NPT	D5: 1/8" E1: 3/16"	
* See the "Engineering Guide" for additional voltages, variations and options.												

Coil Data

Coil Family	
Type	Size
All	S3

Frequency (Hz)	60	50	
Nominal Power (VA)	Inrush	36	36
	Holding	18	19



S312 – 3/8" NPT, Stainless Steel Body, Normally Open

This Page Intentionally Blank