

S21 Series



- 3/8" NPT
- Nylon Body
- 2-Way
- Piloted Diaphragm
- Normally Closed

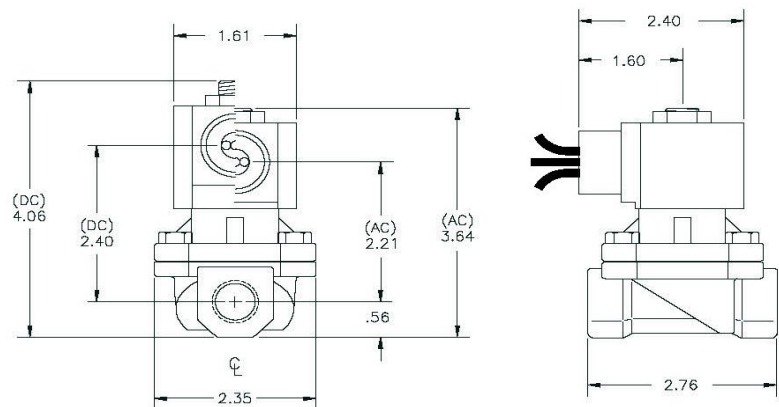


Materials	Seals:	Nitrile, FKM, Ethylene Propylene
	Orifice:	Pilot Main
Electrical	Standard Housing:	Encapsulated Waterproof Conduit (NEMA 4X)
	Optional Housings:	Metal Conduit, Explosion-Proof (NEMA 7), Grommet Open Frame, Junction Box (single or dual knockouts), DIN, Contact GC Valves Customer Svc. For others.
	Standard Voltages:	24, 120, 240, AC, 60 and/or 50 Hz. Available 6, 12, 24 DC Contact GC Valves Customer Svc. For Additional Voltages
	Voltage Tolerance:	± 10% of applicable voltage
	Coil Classes:	F, H, N
	Standard Lead Length:	24 inches
Operating Temperature	Ambient (Nominal):	32° F to 125° F
Mounting	Position:	Any
Approvals*	Agency:	UL Recognized, CSA Approved, CE Certified

* Not available for all variations

Dimensions / Weight

Weight (oz.)
13.6



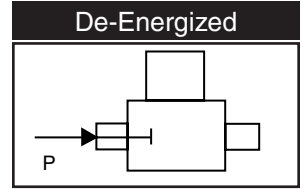
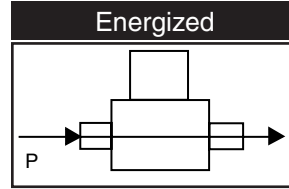
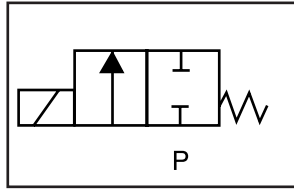
GC Valves Customer Service: 800-828-0484 (7:30 AM to 5:00 PM ET)



S211 – 3/8" NPT, Nylon Body, Normally Closed

Valve Selection List

Normally Closed



Pipe Size NPT	Orifice Size IN	C _v	Minimum	Operating Pressure Differential (psi)				Max Fluid Temp. °F	Seal Material	Power Consumption (Watts)		Model Code (120V/60HZ — 110V/50HZ) Shown
				Maximum						AC	DC	
				AC	DC	AC	DC					Noryl Body
3/8	5/8	4.3	4	200	150	150	100	295	EPR	8	10	S211GF02CPCG4
	5/8	4.3	4	200	150	150	100	180	Nitrile	8	10	S211GF02NPCG4
	5/8	4.3	4	200	150	150	100	230	Viton	8	10	S211GF02VPCG4

Part Numbering

1	2	3	4	5	6	7	8	9	10	11	12	13
S	2	1	1	G	F	0	2	C	P	C	G	4
Series			Operating Mode	Housing*	Coil Class*	Voltage*		Seal Material	Body Material	Pipe Connection	Orifice Size	
S21			1: Normally Closed	G: Conduit	F: Class F	02: 120/60 110/50		C: EPR N: Nitrile V: Viton	P: Nylon	C: 3/8" NPT	G4: 5/8"	
* See the "Engineering Guide" for additional voltages, variations and options.												

Coil Data

Coil Family	
Type	Size
AC	S3
DC	S4

Frequency (Hz)	60	50	
Nominal Power (VA)	Inrush	36	36
	Holding	13	14

GC Valves Customer Service: 800-828-0484 (7:30 am to 5:00 pm ET)