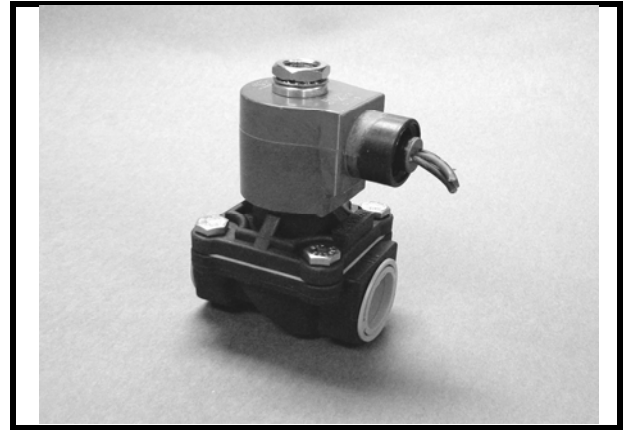


S20 Series



- 3/4" NPT
- Nylon Body
- 2-Way Zero Differential
Piloted Diaphragm
- Normally Open

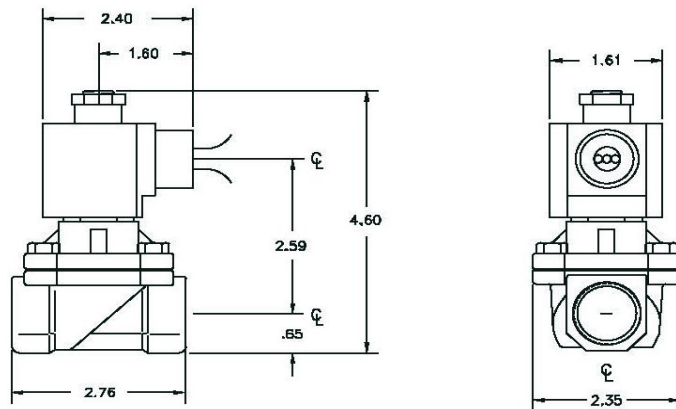


Materials	Seals:	Nitrile, FKM, Ethylene Propylene
	Orifice:	Pilot Main
Electrical	Standard Housing:	Encapsulated Waterproof Conduit (NEMA 4X)
	Optional Housings:	Metal Conduit, Explosion-Proof (NEMA 7), Grommet Open Frame, Junction Box (single or dual knockouts), DIN, Contact GC Valves Customer Svc. For others.
	Standard Voltages:	24, 120, 240, AC, 60 and/or 50 Hz. Available 6, 12, 24 DC Contact GC Valves Customer Svc. For Additional Voltages
	Voltage Tolerance:	± 10% of applicable voltage
	Coil Classes:	F, H, N
	Standard Lead Length:	24 inches
Operating Temperature	Ambient (Nominal):	32° F to 125° F
Mounting	Position:	Any
Approvals*	Agency:	UL Recognized, CSA Approved, CE Certified

* Not available for all variations

Dimensions / Weight

Weight (oz.)
16



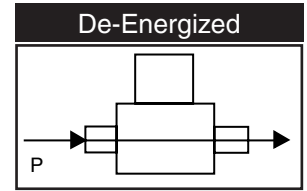
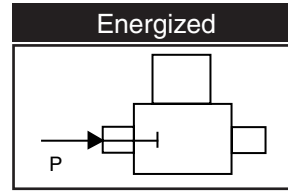
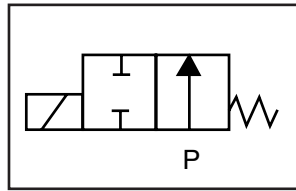
GC Valves Customer Service: 800-828-0484 (7:30 AM to 5:00 PM ET)



S202 – 3/4" NPT, Nylon Body, Normally Open

Valve Selection List

Normally Open



Pipe Size NPT	Orifice Size IN	C _v	Minimum	Operating Pressure Differential (psi)				Max Fluid Temp. °F	Seal Material	Power Consumption (Watts)		Model Code (120V/60HZ — 110V/50HZ Shown)
				Maximum						AC	DC	
				Air/Gas		Water						
				AC	DC	AC	DC			AC	DC	Noryl Body
3/4	3/4	6.7	0	200	125	200	125	295	EPR	11	10	S202GF02CPEG5
	3/4	6.7	0	200	125	200	125	180	Nitrile	11	10	S202GF02NPEG5
	3/4	6.7	0	200	125	200	125	230	Viton	11	10	S202GF02VPEG5

Part Numbering

1	2	3	4	5	6	7	8	9	10	11	12	13
S	2	0	2	G	F	0	2	C	P	E	G	5
Series			Operating Mode	Housing*	Coil Class*	Voltage*		Seal Material	Body Material	Pipe Connection	Orifice Size	
S20			2: Normally Open	G: Conduit	F: Class F	02: 120/60 110/50		C: EPR N: Nitrile V: Viton	P: Nylon	E: 3/4" NPT	G5: 3/4"	
* See the "Engineering Guide" for additional voltages, variations and options.												

Coil Data

Coil Family	
Type	Size
All	S4

Frequency (Hz)	60	50	
Nominal Power (VA)	Inrush	46	46
	Holding	22	25

GC Valves Customer Service: 800-828-0484 (7:30 am to 5:00 pm ET)