

K13 Series



- 3/4" NPT
- Brass Body
- 3-Way Lever-Acting
- Universal



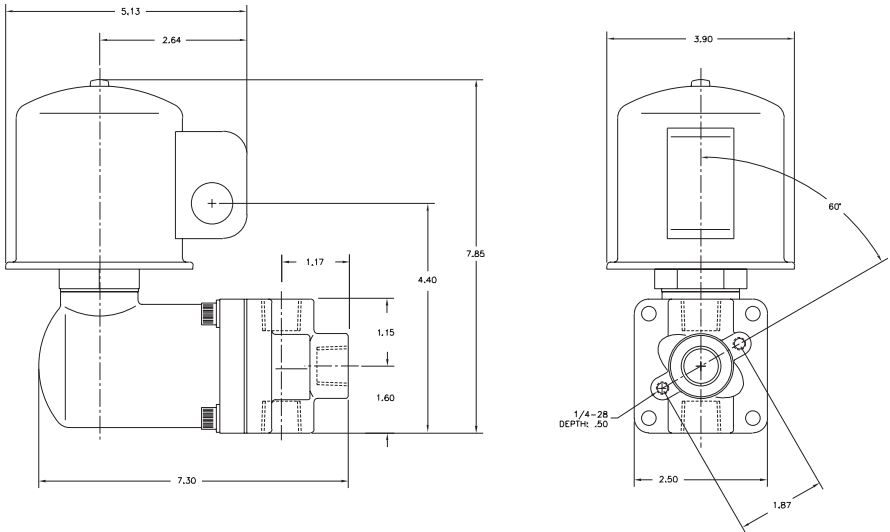
Materials	Seals:	Stainless Steel
	Orifices:	Stainless Steel
Electrical	Standard Housing:	Junction Box
	Optional Housings:	Conduit (NEMA)1, Watertight (NEMA 4)
	Standard Voltages:	24, 120, 240 AC 60 Hz; 50 Hz available. Contact GC Valves Customer Service for additional voltages.
	Voltage Tolerance:	±10% of applicable voltage
	Coil Classes:	F, H
	Standard Lead Length:	6 inch
Operating Temperature	Ambient (Nominal):	32° to 125°F
Mounting	Position:	Vertical Only
Approvals*	Agency:	UL Listed

* Not available for all variations

Dimensions/Weight

Weight (lbs.)

8.8



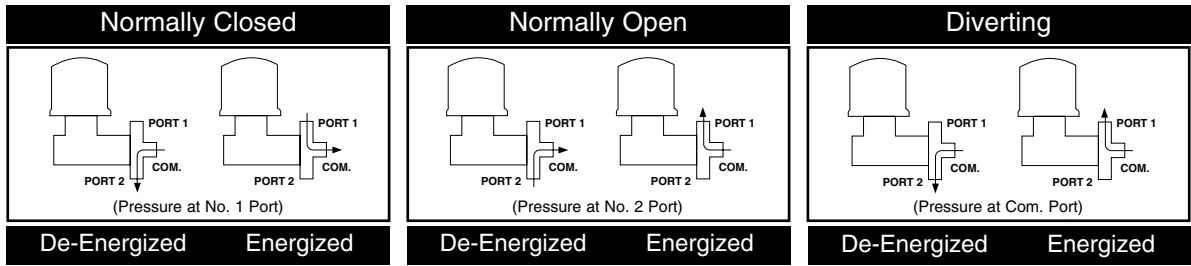
GC Valves Customer Service: 800-828-0484 (7:30am to 4pm ET) or 800-582-4232 (7:30am to 4pm PT)



K13 – 3/4" NPT, Brass Body, Universal

Valve Selection List

Universal



Pipe Size NPT	Orifice Size IN	C _v	Minimum	Operating Pressure Differential (psi)						Max Fluid Temp. °F	Power Consumption (Watts)		Coil Class	Model Code	
				Maximum							AC	DC		F*	(120V/60HZ — 110V/50HZ) Shown
				Water		Light Oil		#5 and #6 Heated Fuel Oil							
				AC	DC	AC	DC	AC	DC	AC	DC		Brass Body		
3/4	1/8	.25	0	275	—	275	—	275	—	250	28	—	F*	K13DF1252	
	3/16	.58	0	125	—	125	—	125	—	250	28	—	F*	K13DF1352	
	1/4	.85	0	100	—	100	—	100	—	250	28	—	F*	K13DF1452	
	13/32	1.27	0	25	—	25	—	25	—	250	28	—	F*	K13DF1552	

* Class H Coil Recommended for High Temperature Applications

Part Numbering

1	2	3	4	5	6	7	8	9
K	1	3	D	F	1	2	5	2
Series			Body Size	Housing*	Seal	Orifice Size	Pipe Connection	Voltage*
K13			D: Standard	F: Class F H: Class H	1: Stainless Steel	2: 1/8" 3: 3/16" 4: 1/4" 5: 13/32"	5: 3/4"	2: 120/60 110/50 4: 240/60 220/50
* See the "Engineering Guide" for additional voltages, variations and options.								

Coil Data

Coil Family	
Type	Size
D	C300

Frequency (Hz)	60	50
Nominal Power (VA)	Inrush	278
	Holding	67

GC Valves Customer Service: 800-828-0484 (7:30am to 4pm ET) or 800-582-4232 (7:30am to 4pm PT)