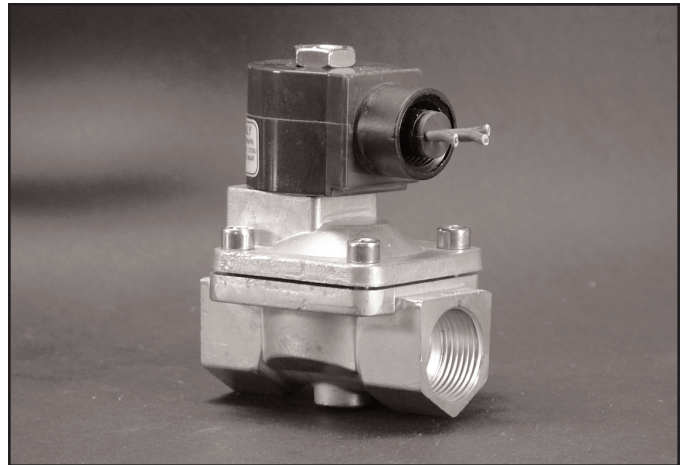


- 3/4" NPT
- Brass Body
- 2-Way Piloted  
Diaphragm
- Normally Closed



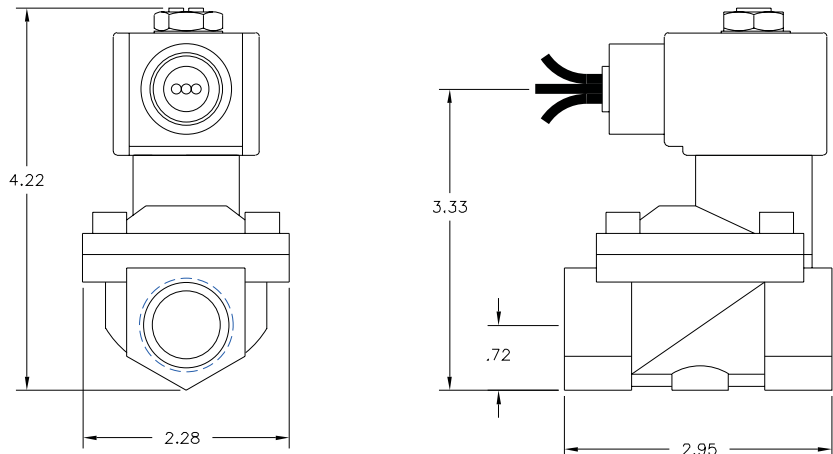
Materials	Seals:	Nitrile, Viton®, Ethylene Propylene
	Orifice:	Pilot: Brass Main: Brass Ø 3/4"
Electrical	Standard Housing:	Encapsulated Waterproof Conduit (NEMA 4/4X)
	Optional Housings:	Metallic Conduit, Explosion-proof (NEMA 7), Grommet, Open Frame, Junction Box (single or dual knockouts), DIN; Contact GC Valves Customer Service for others.
	Standard Voltages:	24, 120, 240 AC 60 Hz; 50 Hz available 6, 12, 24 DC; Contact GC Valves Customer Service for Additional Voltages.
	Voltage Tolerance:	±10% of applicable voltage
	Coil Classes:	F, H, N
	Standard Lead Length:	24 inch
Operating Temperature	Ambient (Nominal):	32°F to 125°F
Mounting	Position:	Any
Approvals*	Agency:	UL Recognized, CSA Approved

\* Not available for all variations

® Registered Trademark of DuPont Co.

## Dimensions/Weight

<b>Weight (lbs.)</b>
3.5

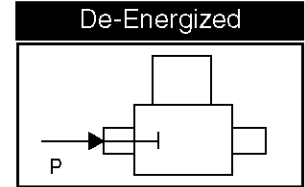
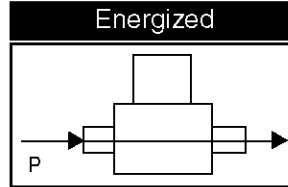
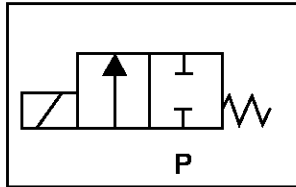




# S711 – 3/4" NPT, Brass Body, Normally Closed

## Valve Selection List

Normally Closed



Pipe Size	Orifice Size	CV	Minimum	Operating Pressure Differential (psi)								Max Fluid Temp. °F	Seal Material	Power Consumption (Watts)		Model Code ( 120V/60HZ — 110V/50HZ Shown )
				Maximum										AC	DC	
				Air/Gas		Water		Light Oil		Steam*						
				AC	DC	AC	DC	AC	DC	AC	DC			AC	DC	
3/4	3/4	6.7	8	200	150	150	100	—	—	—	—	295	EPR	8	9	S711GF02C9EG5
	3/4	6.7	8	200	150	150	100	150	100	—	—	180	Nitrile	8	9	S711GF02N9EG5
	3/4	6.7	8	200	150	150	100	150	100	—	—	230	Viton	8	9	S711GF02V9EG5
	3/4	6.7	8	—	—	—	—	—	—	50*	50*	295	EPR	8	9	S711GH02C9EG5

\* Class H Coil Recommended for Steam and Other High Temperature Applications

## Part Numbering

1	2	3	4	5	6	7	8	9	10	11	12	13
<b>S</b>	<b>7</b>	<b>1</b>	<b>1</b>	<b>G</b>	<b>F</b>	<b>0</b>	<b>2</b>	<b>C</b>	<b>9</b>	<b>E</b>	<b>G</b>	<b>5</b>
Series			Operating Mode	Housing*	Coil Class*	Voltage*		Seal Material	Body Material	Pipe Connection	Orifice Size	
S71			1: Normally Closed	G: Conduit	F: Class F H: Class H	02: 120/60 110/50		C: EPR N: Nitrile V: Viton	9: Brass	E: 3/4" NPT	G5: 3/4"	
* See the "Engineering Guide" for additional voltages, variations and options.												

## Coil Data

Coil Family	
Type	Size
All	S3

Frequency (Hz)	60	50
Nominal Power (VA)	Inrush	36
	Holding	13

GC Valves Customer Service: 800-828-0484 (7:30am to 4pm ET) or 800-582-4232 (7:30am to 4pm PT)