

2-Way Piloted Diaphragm

S71 Series



- 1" NPT
- Nylon Body
- 2-Way
Piloted Diaphragm
- Normally Closed



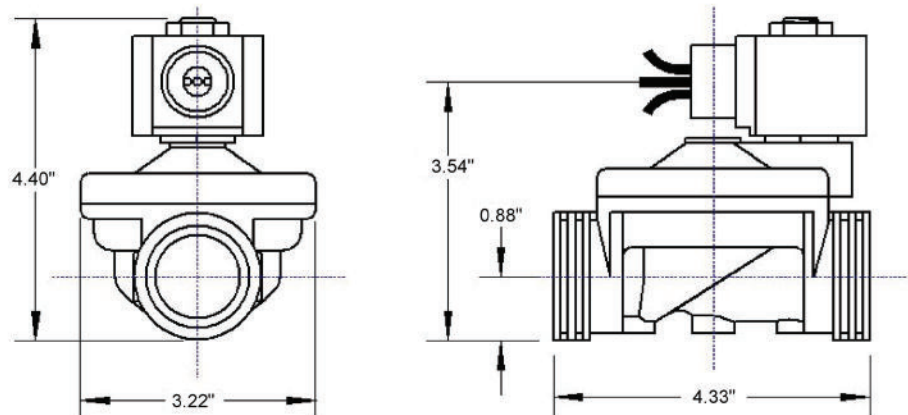
Materials	Seals:	Nitrile
	Orifice:	Pilot Main Nylon Nylon
Electrical	Standard Housing:	Encapsulated Waterproof Conduit (NEMA 4/4X)
	Optional Housings:	Metallic Conduit, Explosion-proof (NEMA 7), Grommet, Open Frame, Junction Box (single or dual knockouts), DIN; Contact GC Valves Customer Service for others.
	Standard Voltages:	24, 120, 240 AC 60 Hz; 50 Hz available 6, 12, 24 DC; Contact GC Valves Customer Service for Additional Voltages.
	Voltage Tolerance:	±10% of applicable voltage
	Coil Classes:	F, H, N
	Standard Lead Length:	24 inch
Operating Temperature	Ambient (Nominal):	32°F to 125°F
Mounting	Position:	Any
Approvals*	Agency:	UL Recognized, CSA Recognized, CE Certified

* Not available for all variations

Dimensions/Weight

Weight (oz.)

16



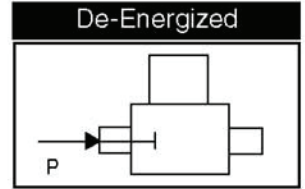
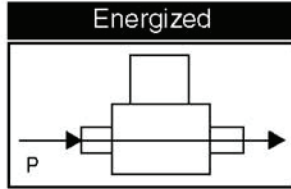
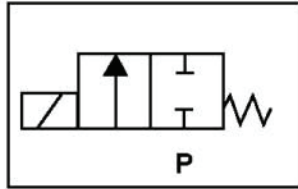
GC Valves Customer Service: 800-828-0484 (7:30am to 4pm ET) or 800-582-4232 (7:30am to 4pm PT)



S711 - 1" NPT, Nylon Body, Normally Closed

Valve Selection List

Normally Closed



Pipe Size NPT	Orifice Size IN	CV	Minimum	Operating Pressure Differential (psi)								Max Fluid Temp. °F	Seal Material	Power Consumption Watts		Model Code (120V/60HZ — 110V/50HZ) Shown
				Maximum										AC	DC	
				Air/Gas		Water		Light Oil		Steam*				AC	DC	Nylon Body
1	1	13	3	100	100	100	100	—	—	—	—	180	Nitrile	8	9	S711GF02NPFG9

Part Numbering

1	2	3	4	5	6	7	8	9	10	11	12	13
S	7	1	1	G	F	0	2	N	P	F	G	9
Series			Operating Mode	Housing	Coil Class	Voltage		Seal Material	Body Material	Pipe Connection	Orifice Size	
S71			1: Normally Closed	G: Conduit	F: Class F H: Class H	02: 120/60 110/50		N: Nitrile	P: Nylon	F: 1" NPT	G9: 1"	
* See the "Engineering Guide" for additional voltages, variations and options.												

Coil Data

Coil Family	
Type	Size
ALL	S3

Frequency (Hz)	60	50
Nominal Power (VA)	Inrush	36
	Holding	13

GC Valves Customer Service: 800-828-0484 (7:30am to 4:00pm ET) or 800-582-4232 (7:30am to 4:00pm PT)