

- **1" NPT**
- **Brass Body**
- **2-Way Zero Differential
Piloted Diaphragm**
- **Normally Open**



Materials	Seals:	Nitrile, Viton®, Ethylene Propylene
	Orifice:	Pilot: Stainless Steel Main: Brass Ø 1"
Electrical	Standard Housing:	Conduit (NEMA 1)
	Optional Housings:	Watertight (NEMA 4), Junction Box. Contact GC Valves Customer Service for others.
	Standard Voltages:	24, 120, 240 AC 60 Hz; 50 Hz available 12, 24 DC; Contact GC Valves Customer Service for Additional Voltages.
	Voltage Tolerance:	±10% of applicable voltage
	Coil Classes:	F, H
	Standard Lead Length:	18 inch
Operating Temperature	Ambient (Nominal):	32°F to 125°F
Mounting	Position:	Vertical and Upright
Approvals*	Agency:	UL Listed, UL Recognized, CSA Approved

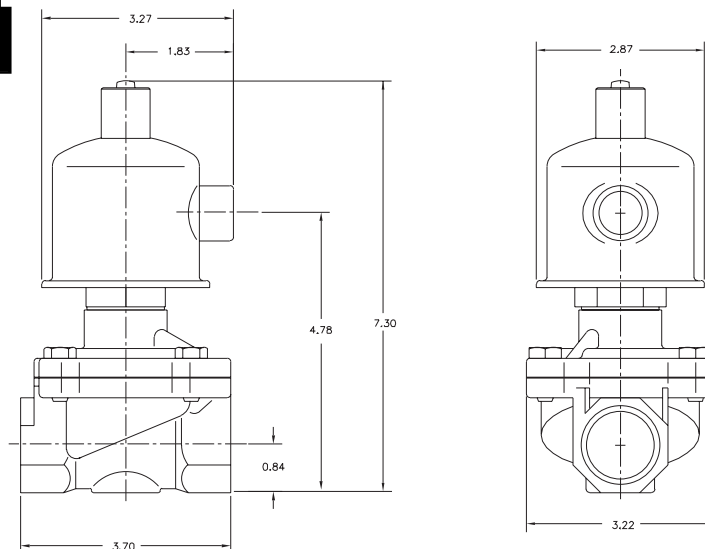
* Not available for all variations

® Registered Trademark of DuPont Co.

Dimensions/Weight

Weight (lbs.)

5.1



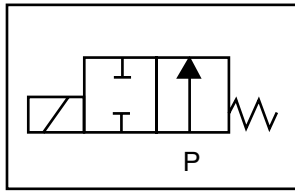
GC Valves Customer Service: 800-828-0484 (7:30am to 4pm ET) or 800-582-4232 (7:30am to 4pm PT)



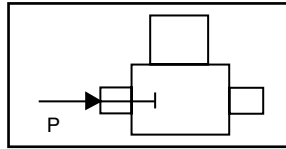
S272 – 1" NPT, Brass Body, Normally Open

Valve Selection List

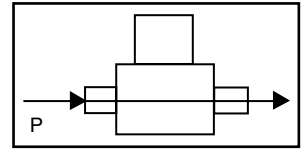
Normally Open



Energized



De-Energized



Pipe Size NPT	Orifice Size IN	C _v	Operating Pressure Differential (psi)								Max Fluid Temp. °F	Seal Material	Power Consumption (Watts)		Model Code (120V/60HZ — 110V/50HZ) Shown	
			Minimum				Maximum						AC	DC		
			AC	DC	AC	DC	AC	DC	AC	DC					AC	DC
1	1	13	0	125	125	125	125	—	—	—	—	295	EPR	18.5	22.5	S272AF02C5FG9
	1	13	0	125	125	125	125	70	70	—	—	180	Nitrile	18.5	22.5	S272AF02N5FG9
	1	13	0	125	125	125	125	70	70	—	—	230	Viton	18.5	22.5	S272AF02V5FG9
	1	13	0	—	—	—	—	—	—	50*	50*	295	EPR	18.5	22.5	S272AH02C5FG9

* Class H Coil Recommended for Steam and Other High Temperature Applications

Part Numbering

1	2	3	4	5	6	7	8	9	10	11	12	13
S	2	7	2	A	F	0	2	C	5	F	G	9
Series			Operating Mode	Housing*	Coil Class*	Voltage*		Seal Material	Body Material	Pipe Connection	Orifice Size	
S27			2: Normally Open	A: Conduit	F: Class F H: Class H	02: 120/60 110/50		C: EPR N: Nitrile V: Viton	5: Brass	F: 1" NPT	G9: 1"	
* See the "Engineering Guide" for additional voltages, variations and options.												

Coil Data

Coil Family	
Type	Size
All	S5

Frequency (Hz)	60	50
Nominal Power (VA)	Inrush	130
	Holding	22

GC Valves Customer Service: 800-828-0484 (7:30am to 4pm ET) or 800-582-4232 (7:30am to 4pm PT)