

S31 Series



- 1/8" NPT
- Stainless Steel Body
- 3-Way Direct Acting
- Normally Closed



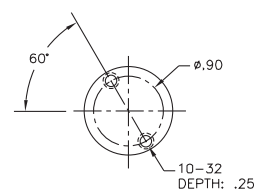
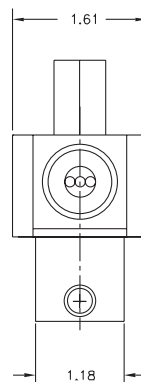
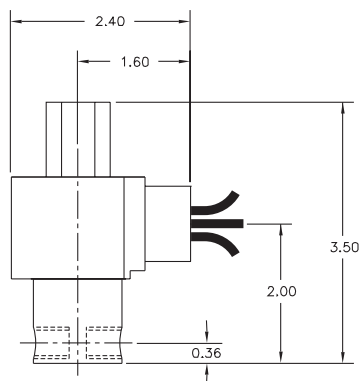
Materials	Seals:	Nitrile, Viton®, Ethylene Propylene or Teflon®
	Orifices: Top Main	Stainless Steel Stainless Steel
Electrical	Standard Housing:	Encapsulated Waterproof Conduit (NEMA 4/4X)
	Optional Housings:	Metallic Conduit, Explosion-proof (NEMA 7), Grommet, Open Frame, Junction Box (single or dual knockouts), DIN; Contact GC Valves Customer Service for others.
	Standard Voltages:	24, 120, 240 AC 60 Hz; 50 Hz available 6, 12, 24 DC; Contact GC Valves Customer Service for Additional Voltages.
	Voltage Tolerance:	±10% of applicable voltage
	Coil Classes:	F, H, N
	Standard Lead Length:	24 inch
Operating Temperature	Ambient (Nominal):	32° to 125°F
Mounting	Position	Any
Approvals*	Agency	UL Listed, UL Recognized, CSA Approved

* Not available for all variations

© Registered Trademark of DuPont Co.

Dimensions/Weight

Weight (lbs.)
1.0



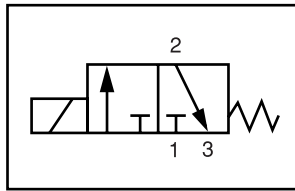
GC Valves Customer Service: 800-828-0484 (7:30am to 4pm ET) or 800-582-4232 (7:30am to 4pm PT)



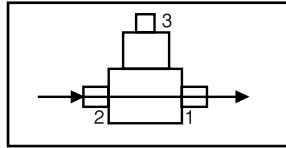
S313 – 1/8" NPT, Stainless Steel Body, Normally Closed

Valve Selection List

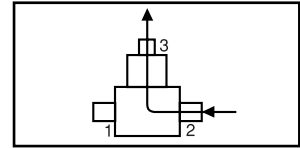
Normally Closed



Energized



De-Energized



Pipe Size NPT	Orifice Size IN		C _v		Operating Pressure Differential (psi)						Max Fluid Temp. °F	Seal Material	Power Consumption (Watts)		Model Code (120V/60HZ — 110V/50HZ) Shown
	Main	Top	Main	Top	Maximum								AC	DC	
					Air/Gas		Water		Light Oil						
	AC	DC	AC	DC	AC	DC	AC	DC	AC	DC			Stainless Steel Body		
1/8	3/64	1/16	.05	.10	170	170	170	170	—	—	295	EPR	8	9	S313GF02C2AV1
	1/16	1/16	.08	.10	120	120	120	120	—	—	295	EPR	8	9	S313GF02C2AC5
	3/32	3/32	.20	.20	65	65	65	65	—	—	295	EPR	8	9	S313GF02C2AC9
	1/8	3/32	.27	.20	40	40	40	40	—	—	295	EPR	8	9	S313GF02C2AV3
	5/32	3/32	.41	.20	25	25	25	25	—	—	295	EPR	8	9	S313GF02C2AV7
1/8	3/64	1/16	.05	.10	170	170	170	170	170	170	180	Nitrile	8	9	S313GF02N2AV1
	1/16	1/16	.08	.10	120	120	120	120	120	120	180	Nitrile	8	9	S313GF02N2AC5
	3/32	3/32	.20	.20	65	65	65	65	65	65	180	Nitrile	8	9	S313GF02N2AC9
	1/8	3/32	.27	.20	40	40	40	40	40	40	180	Nitrile	8	9	S313GF02N2AV3
	5/32	3/32	.41	.20	25	25	25	25	25	25	180	Nitrile	8	9	S313GF02N2AV7
1/8	3/64	1/16	.05	.10	170	170	170	170	170	170	230	Viton	8	9	S313GF02V2AV1
	1/16	1/16	.08	.10	120	120	120	120	120	120	230	Viton	8	9	S313GF02V2AC5
	3/32	3/32	.20	.20	65	65	65	65	65	65	230	Viton	8	9	S313GF02V2AC9
	1/8	3/32	.27	.20	40	40	40	40	40	40	230	Viton	8	9	S313GF02V2AV3
	5/32	3/32	.41	.20	25	25	25	25	25	25	230	Viton	8	9	S313GF02V2AV7
1/8	3/64	1/16	.05	.10	170	170	170	170	170	170	366*	Teflon	8	9	S313GF02T2AV1
	1/16	1/16	.08	.10	120	120	120	120	120	120	366*	Teflon	8	9	S313GF02T2AC5
	3/32	3/32	.20	.20	65	65	65	65	65	65	366*	Teflon	8	9	S313GF02T2AC9
	1/8	3/32	.27	.20	40	40	40	40	40	40	366*	Teflon	8	9	S313GF02T2AV3
	5/32	3/32	.41	.20	25	25	25	25	25	25	366*	Teflon	8	9	S313GF02T2AV7

* Class H Coil Recommended for High Temperature Applications

GC Valves Customer Service: 800-828-0484 (7:30am to 4pm ET) or 800-582-4232 (7:30am to 4pm PT)

S313 – 1/8" NPT, Stainless Steel Body, Normally Closed



Part Numbering

1	2	3	4	5	6	7	8	9	10	11	12	13
S	3	1	3	G	F	0	2	C	2	A	V	1
Series			Operating Mode	Housing*	Coil Class*	Voltage*		Seal Material	Body Material	Pipe Connection	Orifice Size (Main x Top)	
S31			3: Normally Closed	G: Conduit	F: Class F	02: 120/60 110/50		C: EPR N: Nitrile V: Viton T: Teflon	2: Stainless Steel	A: 1/8" NPT	V1: 3/64" x 1/16" C5: 1/16" x 1/16" C9: 3/32" x 3/32" V3: 1/8" x 3/32" V7: 5/32" x 3/32"	
* See the "Engineering Guide" for additional voltages, variations and options.												

Coil Data

Coil Family	
Type	Size
All	S3

Frequency (Hz)	60	50
Nominal Power (VA)	Inrush	36
	Holding	16



S313 – 1/8" NPT, Stainless Steel Body, Normally Closed

This Page Intentionally Blank