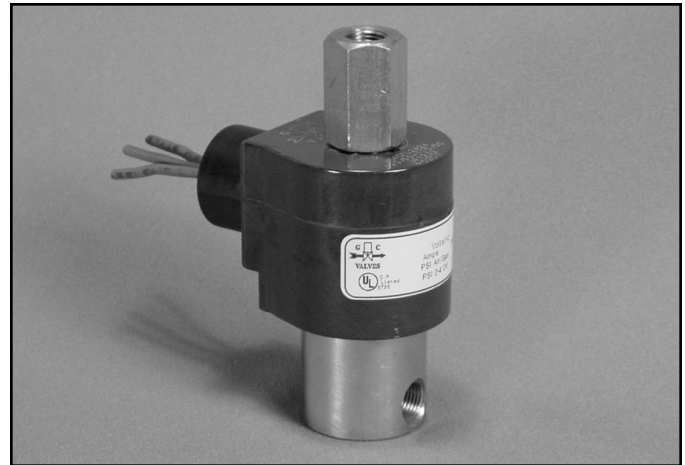


# S30 Series



- 1/8" NPT
- Stainless Steel Body
- 3-Way Direct Acting
- Universal



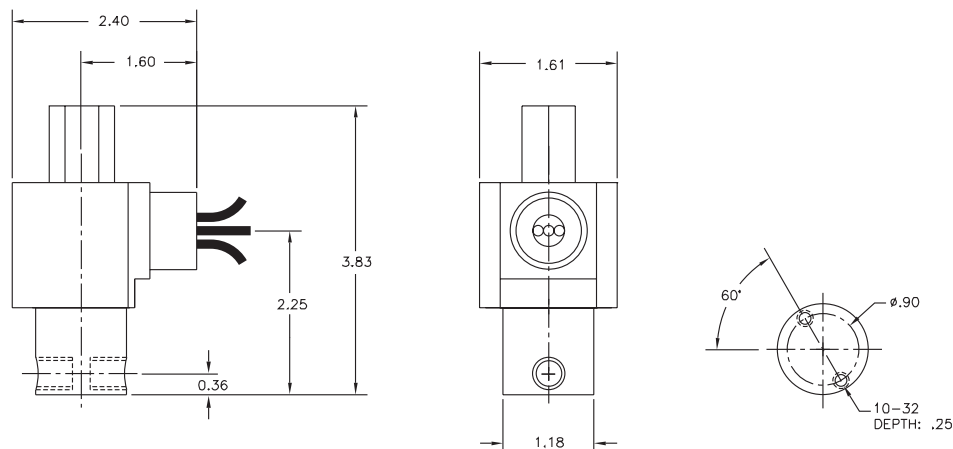
Materials	Seals:	Nitrile, Viton®, Ethylene Propylene or Teflon®
	Orifices:      Top Main	Stainless Steel Stainless Steel
Electrical	Standard Housing:	Encapsulated Waterproof Conduit (NEMA 4/4X)
	Optional Housings:	Metallic Conduit, Explosion-proof (NEMA 7), Grommet, Open Frame, Junction Box (single or dual knockouts), DIN; Contact GC Valves Customer Service for others.
	Standard Voltages:	24, 120, 240 AC 60 Hz; 50 Hz available 6, 12, 24 DC; Contact GC Valves Customer Service for Additional Voltages.
	Voltage Tolerance:	±10% of applicable voltage
	Coil Classes:	F, H, N
	Standard Lead Length:	24 inch
Operating Temperature	Ambient (Nominal):	32° to 125°F
Mounting	Position	Any
Approvals*	Agency	UL Listed, UL Recognized, CSA Approved

\* Not available for all variations

© Registered Trademark of DuPont Co.

## Dimensions/Weight

<b>Weight (lbs.)</b>
1.0



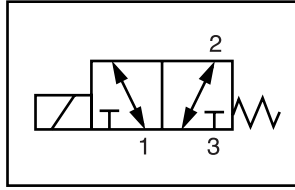
GC Valves Customer Service: 800-828-0484 (7:30am to 4pm ET) or 800-582-4232 (7:30am to 4pm PT)



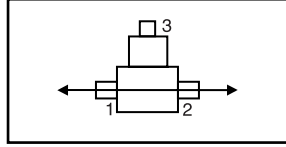
# S306 – 1/8" NPT, Stainless Steel Body, Universal

## Valve Selection List

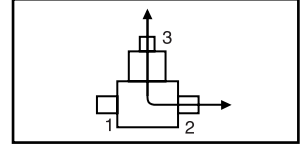
Universal



Energized



De-Energized



Pipe Size NPT	Orifice Size IN		C <sub>v</sub>		Operating Pressure Differential (psi)						Max Fluid Temp. °F	Seal Material	Power Consumption (Watts)		Model Code ( 120V/60HZ — 110V/50HZ Shown )
	Main	Top	Main	Top	Air/Gas		Water		Light Oil				AC	DC	
					AC	DC	AC	DC	AC	DC					
	Stainless Steel Body														
1/8	3/64	1/16	.05	.08	150	120	150	120	—	—	295	EPR	10	10	S306GF02C2AV1
	1/16	1/16	.08	.08	120	100	120	100	—	—	295	EPR	10	10	S306GF02C2AC5
	3/32	3/32	.18	.23	75	25	75	25	—	—	295	EPR	10	10	S306GF02C2AC9
	1/8	3/32	.30	.23	75	20	75	20	—	—	295	EPR	10	10	S306GF02C2AV3
	5/32	3/32	.41	.23	60	20	60	20	—	—	295	EPR	10	10	S306GF02C2AV7
	3/16	3/32	.53	.23	30	20	30	20	—	—	295	EPR	10	10	S306GF02C2AV9
1/8	3/64	1/16	.05	.08	150	120	150	120	150	120	180	Nitrile	10	10	S306GF02N2AV1
	1/16	1/16	.08	.08	120	100	120	100	120	100	180	Nitrile	10	10	S306GF02N2AC5
	3/32	3/32	.18	.23	75	25	75	25	75	25	180	Nitrile	10	10	S306GF02N2AC9
	1/8	3/32	.30	.23	75	20	75	20	75	20	180	Nitrile	10	10	S306GF02N2AV3
	5/32	3/32	.41	.23	60	20	60	20	60	20	180	Nitrile	10	10	S306GF02N2AV7
	3/16	3/32	.53	.23	30	20	30	20	30	20	180	Nitrile	10	10	S306GF02N2AV9
1/8	3/64	1/16	.05	.08	150	120	150	120	150	120	230	Viton	10	10	S306GF02V2AV1
	1/16	1/16	.08	.08	120	100	120	100	120	100	230	Viton	10	10	S306GF02V2AC5
	3/32	3/32	.18	.23	75	25	75	25	75	25	230	Viton	10	10	S306GF02V2AC9
	1/8	3/32	.30	.23	75	20	75	20	75	20	230	Viton	10	10	S306GF02V2AV3
	5/32	3/32	.41	.23	60	20	60	20	60	20	230	Viton	10	10	S306GF02V2AV7
	3/16	3/32	.53	.23	30	20	30	20	30	20	230	Viton	10	10	S306GF02V2AV9
1/8	3/64	1/16	.05	.08	150	120	150	120	150	120	366*	Teflon	10	10	S306GF02T2AV1
	1/16	1/16	.08	.08	120	100	120	100	120	100	366*	Teflon	10	10	S306GF02T2AC5
	3/32	3/32	.18	.23	75	25	75	25	75	25	366*	Teflon	10	10	S306GF02T2AC9

\* Class H Coil Recommended for High Temperature Applications

GC Valves Customer Service: 800-828-0484 (7:30am to 4pm ET) or 800-582-4232 (7:30am to 4pm PT)

# S306 – 1/8" NPT, Stainless Steel Body, Universal



## Part Numbering

1	2	3	4	5	6	7	8	9	10	11	12	13
<b>S</b>	<b>3</b>	<b>0</b>	<b>6</b>	<b>G</b>	<b>F</b>	<b>0</b>	<b>2</b>	<b>C</b>	<b>2</b>	<b>A</b>	<b>V</b>	<b>1</b>
Series			Operating Mode	Housing*	Coil Class*	Voltage*		Seal Material	Body Material	Pipe Connection	Orifice Size (Main x Top)	
S30			6: Universal	G: Conduit	F: Class F	02: 120/60 110/50		C: EPR N: Nitrile V: Viton T: Teflon	2: Stainless Steel	A: 1/8" NPT	V1: 3/64" x 1/16" C5: 1/16" x 1/16" C9: 3/32" x 3/32" V3: 1/8" x 3/32" V7: 5/32" x 3/32" V9: 3/16" x 3/32"	
* See the "Engineering Guide" for additional voltages, variations and options.												

## Coil Data

Coil Family	
Type	Size
All	S4

Frequency (Hz)	60	50
Nominal Power (VA)	Inrush	46
	Holding	20



## **S306 – 1/8" NPT, Stainless Steel Body, Universal**

**This Page Intentionally Blank**