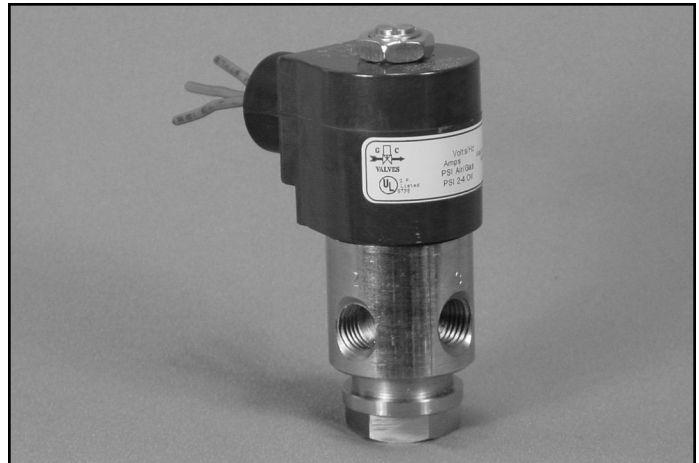


- 1/4" NPT
- Stainless Steel Body
- 3-Way Direct Acting
- Normally Closed



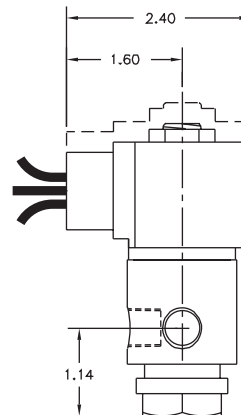
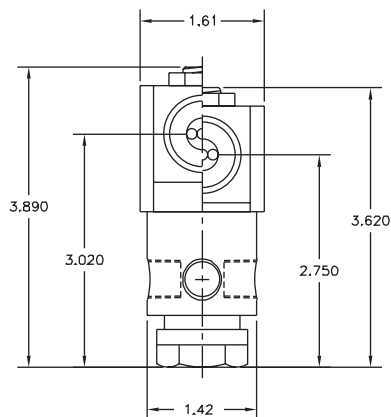
Materials	Seals:	Nitrile, Viton®, Ethylene Propylene
	Orifices:	Stainless Steel
Electrical	Standard Housing:	Encapsulated Waterproof Conduit (NEMA 4/4X)
	Optional Housings:	Metallic Conduit, Explosion-proof (NEMA 7), Grommet, Open Frame, Junction Box (single or dual knockouts), DIN; Contact GC Valves Customer Service for others.
	Standard Voltages:	24, 120, 240 AC 60 Hz; 50 Hz available 6, 12, 24 DC; Contact GC Valves Customer Service for Additional Voltages.
	Voltage Tolerance:	±10% of applicable voltage
	Coil Classes:	F, H, N
	Standard Lead Length:	24 inch
Operating Temperature	Ambient (Nominal):	32°F to 125°F
Mounting	Position	Any
Approvals*	Agency	UL Listed, UL Recognized, CSA Approved

\* Not available for all variations

® Registered Trademark of DuPont Co.

## Dimensions/Weight

<b>Weight (lbs.)</b>
1.1



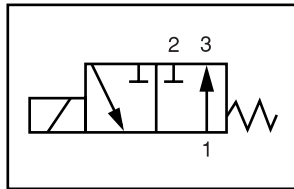
GC Valves Customer Service: 800-828-0484 (7:30am to 4pm ET) or 800-582-4232 (7:30am to 4pm PT)



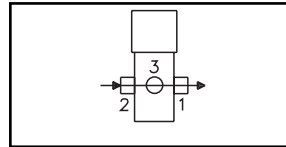
# S333 – 1/4" NPT, Stainless Steel Body, Normally Closed

## Valve Selection List

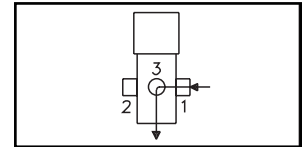
Normally Closed



Energized



De-Energized



Pipe Size NPT	Orifice Size IN	C <sub>v</sub>	Minimum	Operating Pressure Differential (psi)						Max Fluid Temp. °F	Seat Material	Power Consumption (Watts)		Model Code ( 120V/60HZ — 110V/50HZ ) Shown
				Maximum								AC	DC	
				Air/Gas		Water		Light Oil						
				AC	DC	AC	DC	AC	DC			AC	DC	Stainless Steel Body
1/4 Reduced Power	1/16	.09	0	160	100	160	100	—	—	295	EPR	8	9	S333GF02C7BC5
	3/32	.15	0	100	50	100	50	—	—	295	EPR	8	9	S333GF02C7BC9
	1/8	.26	0	50	30	50	30	—	—	295	EPR	8	9	S333GF02C7BD5
1/4	1/16	.09	0	200	160	200	160	—	—	295	EPR	10	10	S333GF02C8BC5
	3/32	.15	0	150	114	150	114	—	—	295	EPR	10	10	S333GF02C8BC9
	1/8	.31	0	84	60	84	60	—	—	295	EPR	10	10	S333GF02C8BD5
	11/64	.38	0	45	24	45	24	—	—	295	EPR	10	10	S333GF02C8BD8
1/4 Reduced Power	1/16	.09	0	160	100	160	100	160	100	180	Nitrile	8	9	S333GF02N7BC5
	3/32	.15	0	100	50	100	50	100	50	180	Nitrile	8	9	S333GF02N7BC9
	1/8	.26	0	50	30	50	30	50	30	180	Nitrile	8	9	S333GF02N7BD5
1/4	1/16	.09	0	200	160	200	160	200	160	180	Nitrile	10	10	S333GF02N8BC5
	3/32	.15	0	150	114	150	114	150	114	180	Nitrile	10	10	S333GF02N8BC9
	1/8	.31	0	84	60	84	60	84	60	180	Nitrile	10	10	S333GF02N8BD5
	11/64	.38	0	45	24	45	24	45	24	180	Nitrile	10	10	S333GF02N8BD8
1/4 Reduced Power	1/16	.09	0	160	100	160	100	160	100	230	Viton	8	9	S333GF02V7BC5
	3/32	.15	0	100	50	100	50	100	50	230	Viton	8	9	S333GF02V7BC9
	1/8	.26	0	50	30	50	30	50	30	230	Viton	8	9	S333GF02V7BD5
1/4	1/16	.09	0	200	160	200	160	200	160	230	Viton	10	10	S333GF02V8BC5
	3/32	.15	0	150	114	150	114	150	114	230	Viton	10	10	S333GF02V8BC9
	1/8	.31	0	84	60	84	60	84	60	230	Viton	10	10	S333GF02V8BD5
	11/64	.38	0	45	24	45	24	45	24	230	Viton	10	10	S333GF02V8BD8

\* Class H Coil Recommended for High Temperature Applications

GC Valves Customer Service: 800-828-0484 (7:30am to 4pm ET) or 800-582-4232 (7:30am to 4pm PT)

# S333 – 1/4" NPT, Stainless Steel Body, Normally Closed



## Part Numbering

1	2	3	4	5	6	7	8	9	10	11	12	13
<b>S</b>	<b>3</b>	<b>3</b>	<b>3</b>	<b>G</b>	<b>F</b>	<b>0</b>	<b>2</b>	<b>C</b>	<b>7</b>	<b>B</b>	<b>C</b>	<b>5</b>
Series			Operating Mode	Housing*	Coil Class*	Voltage*		Seal Material	Body Material	Pipe Connection	Orifice Size	
S33			3: Normally Closed	G: Conduit	F: Class F	02: 120/60 110/50		C: EPR N: Nitrile V: Viton	7: Stainless Steel 8: Stainless Steel	B: 1/4" NPT	C5: 1/16" C9: 3/32" D5: 1/8" D8: 11/64"	
* See the "Engineering Guide" for additional voltages, variations and options.												

## Coil Data

Coil Family	
Type	Size
(Body Code)	
7	S3
8	S4

	60		50	
	7	8	7	8
Frequency (Hz)				
Body	7	8	7	8
Nominal Power (VA)				
Inrush	36	46	36	46
Holding	13	18	14	19



## **S333 – 1/4" NPT, Stainless Steel Body, Normally Closed**

**This Page Intentionally Blank**