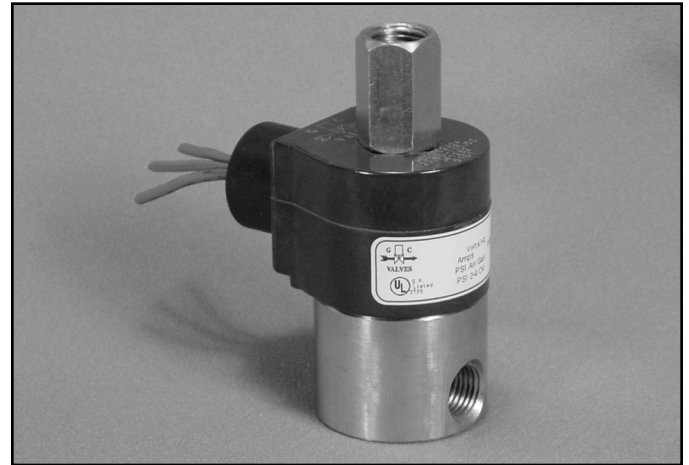


S31 Series



- 1/4" NPT
- Stainless Steel Body
- 3-Way Direct Acting
- Universal



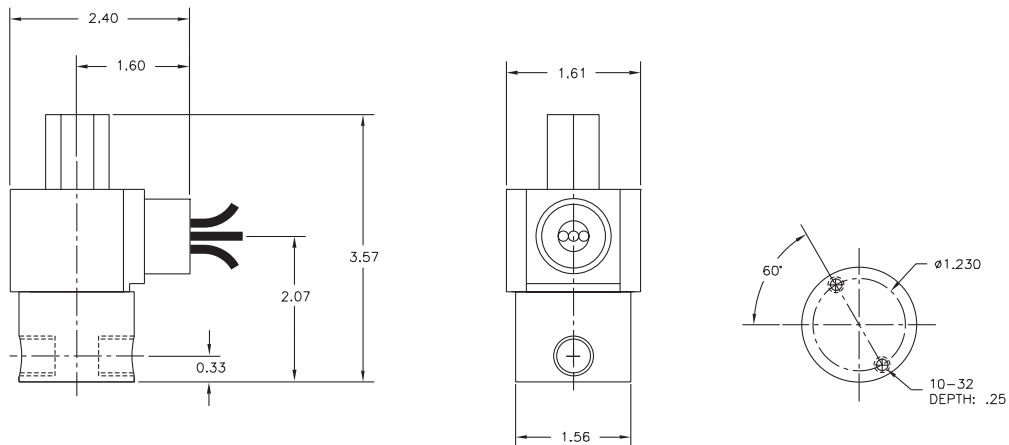
Materials	Seals:	Nitrile, Viton®, Ethylene Propylene or Teflon®
	Orifices: Top Main	Stainless Steel Stainless Steel
Electrical	Standard Housing:	Encapsulated Waterproof Conduit (NEMA 4/4X)
	Optional Housings:	Metallic Conduit, Explosion-proof (NEMA 7), Grommet, Open Frame, Junction Box (single or dual knockouts), DIN; Contact GC Valves Customer Service for others.
	Standard Voltages:	24, 120, 240 AC 60 Hz; 50 Hz available 6, 12, 24 DC; Contact GC Valves Customer Service for Additional Voltages.
	Voltage Tolerance:	±10% of applicable voltage
	Coil Classes:	F, H, N
	Standard Lead Length:	24 inch
Operating Temperature	Ambient (Nominal):	32°F to 125°F
Mounting	Position	Any
Approvals*	Agency	UL Listed, UL Recognized, CSA Approved

* Not available for all variations

® Registered Trademark of DuPont Co.

Dimensions/Weight

Weight (lbs.)
1.2



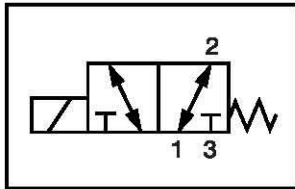
GC Valves Customer Service: 800-828-0484 (7:30am to 4pm ET) or 800-582-4232 (7:30am to 4pm PT)



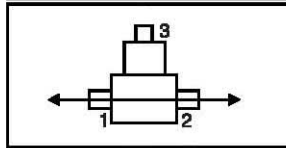
S316 – 1/4" NPT, Stainless Steel Body, Universal

Valve Selection List

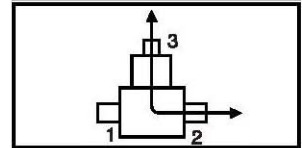
Universal



Energized



De-Energized



Pipe Size NPT	Orifice Size IN		C _v		Operating Pressure Differential (psi)						Max Fluid Temp. °F	Seal Material	Power Consumption (Watts)		Model Code (120V/60HZ — 110V/50HZ Shown)
	Main	Top	Main	Top	Air/Gas		Water		Light Oil				AC	DC	
					AC	DC	AC	DC	AC	DC					
	Stainless Steel Body														
1/4	3/64	3/64	.05	.05	150	150	150	150	—	—	295	EPR	8	9	S316GF02C3BC3
	3/64	1/16	.05	.10	80	80	80	80	—	—	295	EPR	8	9	S316GF02C3BV1
	1/16	1/16	.10	.10	80	40	80	40	—	—	295	EPR	8	9	S316GF02C3BC5
	3/32	3/64	.20	.05	60	60	60	60	—	—	295	EPR	8	9	S316GF02C3BW3
	1/8	3/32	.27	.20	45	5	45	5	—	—	295	EPR	8	9	S316GF02C3BV3
1/4	3/64	3/64	.05	.05	150	150	150	150	150	150	180	Nitrile	8	9	S316GF02N3BC3
	3/64	1/16	.05	.10	80	80	80	80	80	80	180	Nitrile	8	9	S316GF02N3BV1
	1/16	1/16	.10	.10	80	40	80	40	80	40	180	Nitrile	8	9	S316GF02N3BC5
	3/32	3/64	.20	.05	60	60	60	60	60	60	180	Nitrile	8	9	S316GF02N3BW3
	1/8	3/32	.27	.20	45	5	45	5	45	5	180	Nitrile	8	9	S316GF02N3BV3
1/4	3/64	3/64	.05	.05	150	150	150	150	150	150	230	Viton	8	9	S316GF02V3BC3
	3/64	1/16	.05	.10	80	80	80	80	80	80	230	Viton	8	9	S316GF02V3BV1
	1/16	1/16	.10	.10	80	40	80	40	80	40	230	Viton	8	9	S316GF02V3BC5
	3/32	3/64	.20	.05	60	60	60	60	60	60	230	Viton	8	9	S316GF02V3BW3
	1/8	3/32	.27	.20	45	5	45	5	45	5	230	Viton	8	9	S316GF02V3BV3
1/4	3/64	3/64	.05	.05	150	150	150	150	150	150	366*	Teflon	8	9	S316GF02T3BC3
	3/64	1/16	.05	.10	80	80	80	80	80	80	366*	Teflon	8	9	S316GF02T3BV1
	1/16	1/16	.10	.10	65	65	65	65	65	65	366*	Teflon	8	9	S316GF02T3BC5
	3/32	3/64	.20	.05	80	40	80	40	80	40	366*	Teflon	8	9	S316GF02T3BW3
	1/8	3/32	.27	.20	45	5	45	5	45	5	366*	Teflon	8	9	S316GF02T3BV3

* Class H Coil Recommended for High Temperature Applications

GC Valves Customer Service: 800-828-0484 (7:30am to 4pm ET) or 800-582-4232 (7:30am to 4pm PT)

S316 – 1/4" NPT, Stainless Steel Body, Universal



Part Numbering

1	2	3	4	5	6	7	8	9	10	11	12	13
S	3	1	6	G	F	0	2	C	3	B	C	3
Series			Operating Mode	Housing*	Coil Class*	Voltage*		Seal Material	Body Material	Pipe Connection	Orifice Size (Main x Top)	
S31			6: Universal	G: Conduit	F: Class F	02: 120/60 110/50		C: EPR N: Nitrile V: Viton T: Teflon	3: Stainless Steel	B: 1/4" NPT	C3: 3/64" x 3/64" V1: 3/64" x 1/16" C5: 1/16" x 1/16" W3: 3/32" x 3/64" V3: 1/8" x 3/32"	
* See the "Engineering Guide" for additional voltages, variations and options.												

Coil Data

Coil Family	
Type	Size
All	S3

Frequency (Hz)	60	50
Nominal Power (VA)	Inrush	36
	Holding	16



S316 – 1/4" NPT, Stainless Steel Body, Universal

This Page Intentionally Blank