

1/4" NPT Stainless Steel 2-Way Direct Acting Normally Open



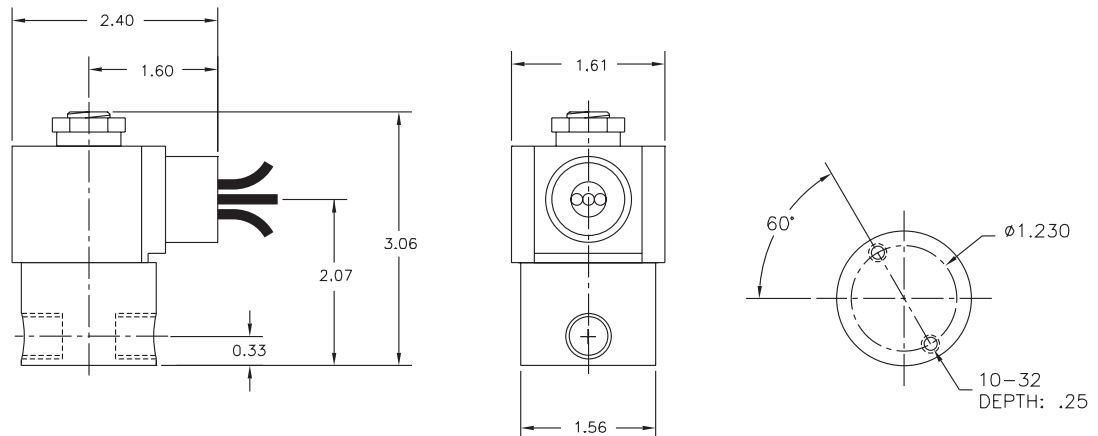
Materials	Seals:	Nitrile, Viton®, Ethylene Propylene, Teflon®, Rulon
	Orifice:	Stainless Steel
Electrical	Standard Housing:	Encapsulated Waterproof Conduit (NEMA 4/4X)
	Optional Housings:	Metallic Conduit, Explosion-proof (NEMA 7), Grommet, Open Frame, Junction Box (single or dual knockouts), DIN; Contact GC Valves Customer Service for others.
	Standard Voltages:	24, 120, 240 AC 60 Hz; 50 Hz available 6, 12, 24 DC; Contact GC Valves Customer Service for Additional Voltages.
	Voltage Tolerance:	±10% of applicable voltage
	Coil Classes:	F, H, N
	Standard Lead Length:	24 inch
Operating Temperature	Ambient (Nominal):	32°F to 125°F
Mounting	Position:	Any
Approvals*	Agency:	UL Listed, UL Recognized, CSA Approved

* Not available for all variations

© Registered Trademark of DuPont Co.

Dimensions/Weight

Weight (lbs.)
0.9



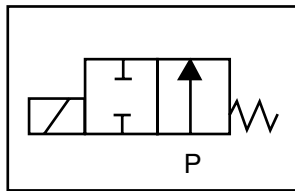
GC Valves Customer Service: 800-828-0484 (7:30am to 4pm ET) or 800-582-4232 (7:30am to 4pm PT)



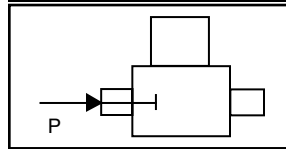
S312 – 1/4" NPT, Stainless Steel Body, Normally Open

Valve Selection List

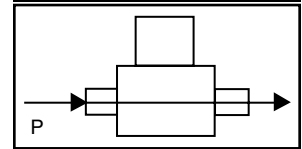
Normally Open



Energized



De-Energized



Pipe Size NPT	Orifice Size in.	C _v	Operating Pressure Differential (psi)								Max Fluid Temp. °F	Seal Material	Power Consumption (Watts)		Model Code (120V/60HZ — 110V/50HZ Shown)			
			Minimum	Maximum									AC	DC		Stainless Steel Body		
				Air/Gas		Water		Light Oil		Steam*								
				AC	DC	AC	DC	AC	DC	AC					DC			
1/4	1/32	.03	0	2000	2000	2000	2000	2000	2000	—	—	150*	150*	295	EPR	8	9	S312GF02C2BC1
	3/64	.05	0	350	350	350	350	350	350	—	—	150*	150*	295	EPR	8	9	S312GF02C3BC3
	1/16	.10	0	200	200	200	200	200	200	—	—	150*	150*	295	EPR	8	9	S312GF02C3BC5
	5/64	.15	0	140	140	140	140	140	140	—	—	140*	140*	295	EPR	8	9	S312GF02C3BC7
	3/32	.22	0	105	105	105	105	105	105	—	—	105*	105*	295	EPR	8	9	S312GF02C3BC9
	7/64	.25	0	80	80	80	80	80	80	—	—	80*	80*	295	EPR	8	9	S312GF02C3BD3
	1/8	.30	0	60	60	60	60	60	60	—	—	60*	60*	295	EPR	8	9	S312GF02C3BD5
	3/16	.65	0	30	30	30	30	30	30	—	—	30*	30*	295	EPR	8	9	S312GF02C3BE1
1/4	1/32	.03	0	2000	2000	2000	2000	2000	2000	—	—	180	180	180	Nitrile	8	9	S312GF02N2BC1
	3/64	.05	0	350	350	350	350	350	350	—	—	180	180	180	Nitrile	8	9	S312GF02N3BC3
	1/16	.10	0	200	200	200	200	200	200	—	—	180	180	180	Nitrile	8	9	S312GF02N3BC5
	5/64	.15	0	140	140	140	140	140	140	—	—	180	180	180	Nitrile	8	9	S312GF02N3BC7
	3/32	.20	0	105	105	105	105	105	105	—	—	180	180	180	Nitrile	8	9	S312GF02N3BC9
	7/64	.25	0	80	80	80	80	80	80	—	—	180	180	180	Nitrile	8	9	S312GF02N3BD3
	1/8	.30	0	60	60	60	60	60	60	—	—	180	180	180	Nitrile	8	9	S312GF02N3BD5
	3/16	.65	0	30	30	30	30	30	30	—	—	180	180	180	Nitrile	8	9	S312GF02N3BE1
1/4	1/32	.03	0	2000	2000	2000	2000	2000	2000	—	—	230	230	230	Viton	8	9	S312GF02V2AC1
	3/64	.05	0	350	350	350	350	350	350	—	—	230	230	230	Viton	8	9	S312GF02V3BC3
	1/16	.10	0	200	200	200	200	200	200	—	—	230	230	230	Viton	8	9	S312GF02V3BC5
	5/64	.15	0	140	140	140	140	140	140	—	—	230	230	230	Viton	8	9	S312GF02V3BC7
	3/32	.20	0	105	105	105	105	105	105	—	—	230	230	230	Viton	8	9	S312GF02V3BC9
	7/64	.25	0	80	80	80	80	80	80	—	—	230	230	230	Viton	8	9	S312GF02V3BD3
	1/8	.30	0	60	60	60	60	60	60	—	—	230	230	230	Viton	8	9	S312GF02V3BD5
	3/16	.65	0	30	30	30	30	30	30	—	—	230	230	230	Viton	8	9	S312GF02V3BE1
1/4	1/32	.03	0	2000	2000	2000	2000	2000	2000	150*	150*	366	366	366	Rulon	8	9	S312GF02R2BC1
	3/64	.05	0	350	350	350	350	350	350	150*	150*	366	366	366	Rulon	8	9	S312GF02R3BC3
	1/16	.10	0	200	200	200	200	200	200	150*	150*	366	366	366	Rulon	8	9	S312GF02R3BC5
	5/64	.15	0	140	140	140	140	140	140	140*	140*	366	366	366	Rulon	8	9	S312GF02R3BC7
	3/32	.20	0	105	105	105	105	105	105	105*	105*	366	366	366	Rulon	8	9	S312GF02R3BC9
	7/64	.25	0	80	80	80	80	80	80	80*	80*	366	366	366	Rulon	8	9	S312GF02R3BD3
	1/8	.30	0	60	60	60	60	60	60	60*	60*	366	366	366	Rulon	8	9	S312GF02R3BD5
	3/16	.65	0	30	30	30	30	30	30	30*	30*	366	366	366	Rulon	8	9	S312GF02R3BE1
1/4	1/32	.03	0	2000	2000	2000	2000	2000	2000	150*	150*	366	366	366	Teflon	8	9	S312GF02T2BC1
	3/64	.05	0	350	350	350	350	350	350	150*	150*	366	366	366	Teflon	8	9	S312GF02T3BC3
	1/16	.10	0	200	200	200	200	200	200	150*	150*	366	366	366	Teflon	8	9	S312GF02T3BC5
	5/64	.15	0	140	140	140	140	140	140	140*	140*	366	366	366	Teflon	8	9	S312GF02T3BC7
	3/32	.20	0	105	105	105	105	105	105	105*	105*	366	366	366	Teflon	8	9	S312GF02T3BC9
	7/64	.25	0	80	80	80	80	80	80	80*	80*	366	366	366	Teflon	8	9	S312GF02T3BD3
	1/8	.30	0	60	60	60	60	60	60	60*	60*	366	366	366	Teflon	8	9	S312GF02T3BD5
	3/16	.65	0	30	30	30	30	30	30	30*	30*	366	366	366	Teflon	8	9	S312GF02T3BE1

* Class H Coil Recommended for Steam and Other High Temperature Applications

GC Valves Customer Service: 800-828-0484 (7:30am to 4pm ET) or 800-582-4232 (7:30am to 4pm PT)

S312 – 1/4" NPT, Stainless Steel Body, Normally Open



Part Numbering

1	2	3	4	5	6	7	8	9	10	11	12	13
S	3	1	2	G	F	0	2	V	3	B	C	1
Series			Operating Mode	Housing*	Coil Class*	Voltage*		Seal Material	Body Material	Pipe Connection	Orifice Size	
S31			2: Normally Open	G: Conduit	F: Class F H: Class H	02: 120/60 110/50		C: EPR N: Nitrile V: Viton R: Rulon T: Teflon	3: Stainless Steel	B: 1/4" NPT	C1: 1/32" C3: 3/64" C5: 1/16" C9: 3/32" D5: 1/8" E1: 3/16"	
* See the "Engineering Guide" for additional voltages, variations and options.												

Coil Data

Coil Family	
Type	Size
All	S3

Frequency (Hz)	60	50
Nominal Power (VA)	Inrush	36
	Holding	18



S312 – 1/4" NPT, Stainless Steel Body, Normally Open

This Page Intentionally Blank