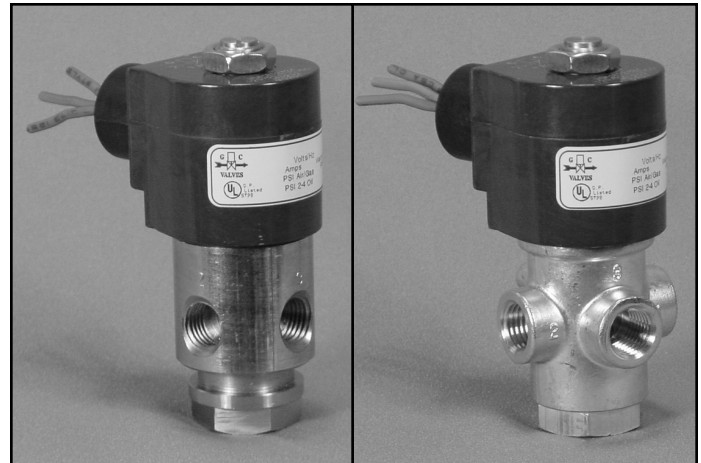


- 1/4" NPT
- Brass Body
- 3-Way Direct Acting
- Normally Open



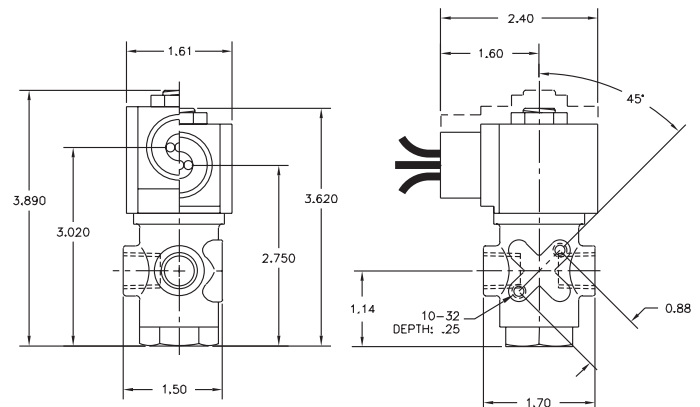
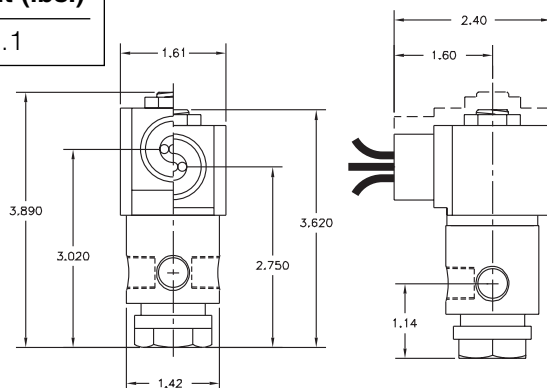
Materials	Seals:	Nitrile, Viton®, Ethylene Propylene
	Orifices:	Brass
Electrical	Standard Housing:	Encapsulated Waterproof Conduit (NEMA 4/4X)
	Optional Housings:	Metallic Conduit, Explosion-proof (NEMA 7), Grommet, Open Frame, Junction Box (single or dual knockouts), DIN; Contact GC Valves Customer Service for others.
	Standard Voltages:	24, 120, 240 AC 60 Hz; 50 Hz available 6, 12, 24 DC; Contact GC Valves Customer Service for Additional Voltages.
	Voltage Tolerance:	±10% of applicable voltage
	Coil Classes:	F, H, N
	Standard Lead Length:	24 inch
Operating Temperature	Ambient (Nominal):	32°F to 125°F
Mounting	Position	Any
Approvals*	Agency	UL Listed, UL Recognized, CSA Approved

* Not available for all variations

® Registered Trademark of DuPont Co.

Dimensions/Weight

Weight (lbs.)
1.1



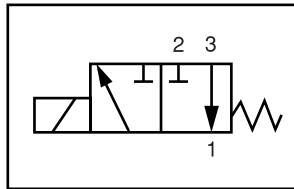
GC Valves Customer Service: 800-828-0484 (7:30am to 4pm ET) or 800-582-4232 (7:30am to 4pm PT)



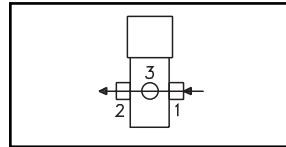
S334 – 1/4" NPT, Brass Body, Normally Open

Valve Selection List

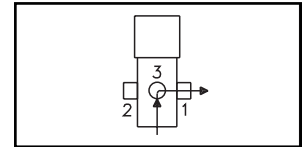
Normally Open



Energized



De-Energized



Pipe Size NPT	Orifice Size IN	C _v	Minimum	Operating Pressure Differential (psi)						Max Fluid Temp. °F	Seal Material	Power Consumption (Watts)		Model Code (120V/60HZ — 110V/50HZ) Shown	
				Maximum								AC	DC		
				Air/Gas		Water		Light Oil							
				AC	DC	AC	DC	AC	DC			AC	DC	Brass Body	
Reduced Power	1/4	1/16	.09	0	160	100	160	100	—	—	295	EPR	8	9	S334GF02C3BC5
	3/32	.15	0	100	50	100	50	—	—	295	EPR	8	9	S334GF02C3BC9	
	1/8	.26	0	50	30	50	30	—	—	295	EPR	8	9	S334GF02C3BD5	
1/4	1/16	.09	0	200	160	200	160	—	—	295	EPR	10	10	S334GF02C4BC5	
	3/32	.15	0	150	114	150	114	—	—	295	EPR	10	10	S334GF02C4BC9	
	1/8	.31	0	84	60	84	60	—	—	295	EPR	10	10	S334GF02C4BD5	
	11/64	.38	0	45	24	45	24	—	—	295	EPR	10	10	S334GF02C4BD8	
Reduced Power	1/4	1/16	.09	0	160	100	160	100	160	100	180	Nitrile	8	9	S334GF02N3BC5
	3/32	.15	0	100	50	100	50	100	50	180	Nitrile	8	9	S334GF02N3BC9	
	1/8	.26	0	50	30	50	30	50	30	180	Nitrile	8	9	S334GF02N3BD5	
1/4	1/16	.09	0	200	160	200	160	200	160	180	Nitrile	10	10	S334GF02N4BC5	
	3/32	.15	0	150	114	150	114	150	114	180	Nitrile	10	10	S334GF02N4BC9	
	1/8	.31	0	84	60	84	60	84	60	180	Nitrile	10	10	S334GF02N4BD5	
	11/64	.38	0	45	24	45	24	45	24	180	Nitrile	10	10	S334GF02N4BD8	
Reduced Power	1/4	1/16	.09	0	160	100	160	100	160	100	230	Viton	8	9	S334GF02V3BC5
	3/32	.15	0	100	50	100	50	100	50	230	Viton	8	9	S334GF02V3BC9	
	1/8	.26	0	50	30	50	30	50	30	230	Viton	8	9	S334GF02V3BD5	
1/4	1/16	.09	0	200	160	200	160	200	160	230	Viton	10	10	S334GF02V4BC5	
	3/32	.15	0	150	114	150	114	150	114	230	Viton	10	10	S334GF02V4BC9	
	1/8	.31	0	84	60	84	60	84	60	230	Viton	10	10	S334GF02V4BD5	
	11/64	.38	0	45	24	45	24	45	24	230	Viton	10	10	S334GF02V4BD8	

* Class H Coil Recommended for High Temperature Applications

GC Valves Customer Service: 800-828-0484 (7:30am to 4pm ET) or 800-582-4232 (7:30am to 4pm PT)