

S31 Series



- 1/4" NPT
- Brass Body
- 3-Way Direct Acting
- Normally Closed



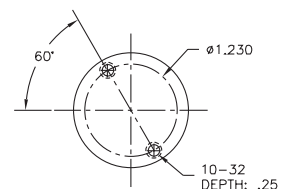
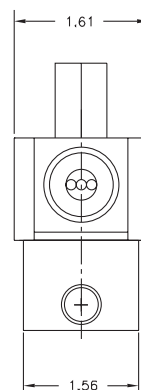
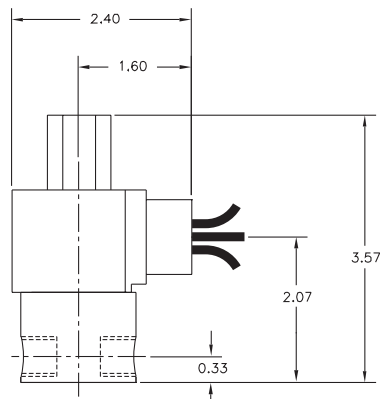
Materials	Seals:	Nitrile, Viton®, Ethylene Propylene or Teflon®
	Orifices: Top Main	Stainless Steel Stainless Steel
Electrical	Standard Housing:	Encapsulated Waterproof Conduit (NEMA 4/4X)
	Optional Housings:	Metallic Conduit, Explosion-proof (NEMA 7), Grommet, Open Frame, Junction Box (single or dual knockouts), DIN; Contact GC Valves Customer Service for others.
	Standard Voltages:	24, 120, 240 AC 60 Hz; 50 Hz available 6, 12, 24 DC; Contact GC Valves Customer Service for Additional Voltages.
	Voltage Tolerance:	±10% of applicable voltage
	Coil Classes:	F, H, N
	Standard Lead Length:	24 inch
Operating Temperature	Ambient (Nominal):	32° to 125°F
Mounting	Position	Any
Approvals*	Agency	UL Listed, UL Recognized, CSA Approved

* Not available for all variations

© Registered Trademark of DuPont Co.

Dimensions/Weight

Weight (lbs.)
1.2



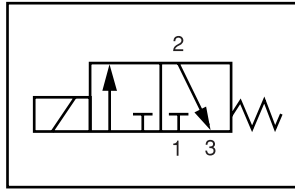
GC Valves Customer Service: 800-828-0484 (7:30am to 4pm ET) or 800-582-4232 (7:30am to 4pm PT)



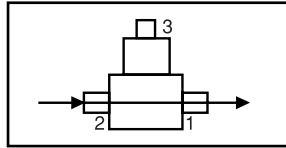
S313 – 1/4" NPT, Brass Body, Normally Closed

Valve Selection List

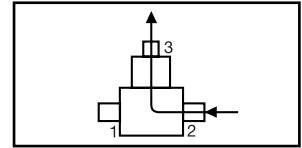
Normally Closed



Energized



De-Energized



Pipe Size NPT	Orifice Size IN		C _v		Operating Pressure Differential (psi)						Max Fluid Temp. °F	Seal Material	Power Consumption (Watts)		Model Code (120V/60HZ — 110V/50HZ) Shown
	Main	Top	Main	Top	Air/Gas		Water		Light Oil				AC	DC	
					AC	DC	AC	DC	AC	DC					
	Brass Body														
1/4	3/64	1/16	.05	.10	170	170	170	170	—	—	295	EPR	8	9	S313GF02C8BV1
	1/16	1/16	.08	.10	120	120	120	120	—	—	295	EPR	8	9	S313GF02C8BC5
	3/32	3/32	.20	.20	65	65	65	65	—	—	295	EPR	8	9	S313GF02C8BC9
	1/8	3/32	.27	.20	40	40	40	40	—	—	295	EPR	8	9	S313GF02C8BV3
	5/32	3/32	.41	.20	25	25	25	25	—	—	295	EPR	8	9	S313GF02C8BV7
1/4	3/64	1/16	.05	.10	170	170	170	170	170	170	180	Nitrile	8	9	S313GF02N8BV1
	1/16	1/16	.08	.10	120	120	120	120	120	120	180	Nitrile	8	9	S313GF02N8BC5
	3/32	3/32	.20	.20	65	65	65	65	65	65	180	Nitrile	8	9	S313GF02N8BC9
	1/8	3/32	.27	.20	40	40	40	40	40	40	180	Nitrile	8	9	S313GF02N8BV3
	5/32	3/32	.41	.20	25	25	25	25	25	25	180	Nitrile	8	9	S313GF02N8BV7
1/4	3/64	1/16	.05	.10	170	170	170	170	170	170	230	Viton	8	9	S313GF02V8BV1
	1/16	1/16	.08	.10	120	120	120	120	120	120	230	Viton	8	9	S313GF02V8BC5
	3/32	3/32	.20	.20	65	65	65	65	65	65	230	Viton	8	9	S313GF02V8BC9
	1/8	3/32	.27	.20	40	40	40	40	40	40	230	Viton	8	9	S313GF02V8BV3
	5/32	3/32	.41	.20	25	25	25	25	25	25	230	Viton	8	9	S313GF02V8BV7
1/4	3/64	1/16	.05	.10	170	170	170	170	170	170	366*	Teflon	8	9	S313GF02T8BV1
	1/16	1/16	.08	.10	120	120	120	120	120	120	366*	Teflon	8	9	S313GF02T8BC5
	3/32	3/32	.20	.20	65	65	65	65	65	65	366*	Teflon	8	9	S313GF02T8BC9
	1/8	3/32	.27	.20	40	40	40	40	40	40	366*	Teflon	8	9	S313GF02T8BV3
	5/32	3/32	.41	.20	25	25	25	25	25	25	366*	Teflon	8	9	S313GF02T8BV7

* Class H Coil Recommended for High Temperature Applications

GC Valves Customer Service: 800-828-0484 (7:30am to 4pm ET) or 800-582-4232 (7:30am to 4pm PT)

S313 – 1/4" NPT, Brass Body, Normally Closed



Part Numbering

1	2	3	4	5	6	7	8	9	10	11	12	13
S	3	1	3	G	F	0	2	C	8	B	V	1
Series			Operating Mode	Housing*	Coil Class*	Voltage*		Seal Material	Body Material	Pipe Connection	Orifice Size (Main x Top)	
S31			3: Normally Closed	G: Conduit	F: Class F	02: 120/60 110/50		C: EPR N: Nitrile V: Viton T: Teflon	8: Brass	B: 1/4" NPT	V1: 3/64" x 1/16" C5: 1/16" x 1/16" C9: 3/32" x 3/32" V3: 1/8" x 3/32" V7: 5/32" x 3/32"	
* See the "Engineering Guide" for additional voltages, variations and options.												

Coil Data

Coil Family	
Type	Size
All	S3

Frequency (Hz)	60	50	
Nominal Power (VA)	Inrush	36	36
	Holding	16	17



S313 – 1/4" NPT, Brass Body, Normally Closed

This Page Intentionally Blank