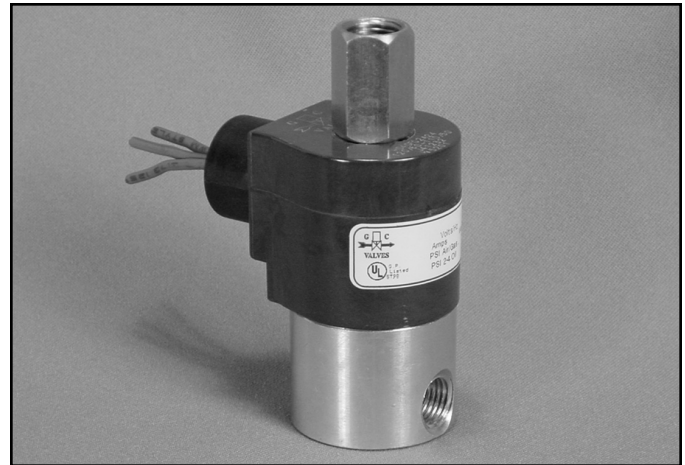


- 1/4" NPT
- Brass Body
- 3-Way Direct Acting
- Universal



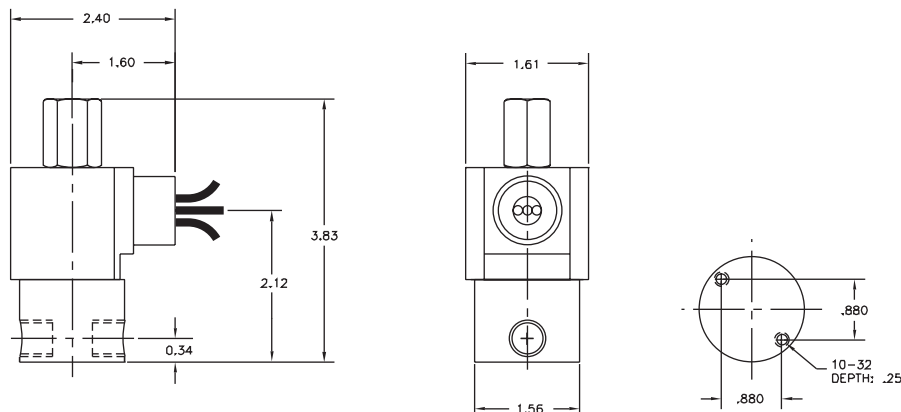
Materials	Seals:	Nitrile, Viton®, Ethylene Propylene or Teflon®
	Orifices: Top Main	Stainless Steel Stainless Steel
Electrical	Standard Housing:	Encapsulated Waterproof Conduit (NEMA 4/4X)
	Optional Housings:	Metallic Conduit, Explosion-proof (NEMA 7), Grommet, Open Frame, Junction Box (single or dual knockouts), DIN; Contact GC Valves Customer Service for others.
	Standard Voltages:	24, 120, 240 AC 60 Hz; 50 Hz available 6, 12, 24 DC; Contact GC Valves Customer Service for Additional Voltages.
	Voltage Tolerance:	±10% of applicable voltage
	Coil Classes:	F, H, N
	Standard Lead Length:	24 inch
Operating Temperature	Ambient (Nominal):	32° to 125°F
Mounting	Position	Any
Approvals*	Agency	UL Listed, UL Recognized, CSA Approved

* Not available for all variations

© Registered Trademark of DuPont Co.

Dimensions/Weight

Weight (lbs.)
1.2



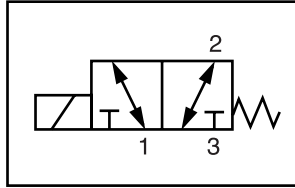
GC Valves Customer Service: 800-828-0484 (7:30am to 4pm ET) or 800-582-4232 (7:30am to 4pm PT)



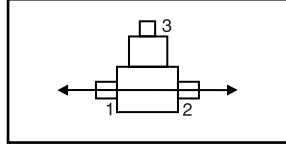
S306 – 1/4" NPT, Brass Body, Universal

Valve Selection List

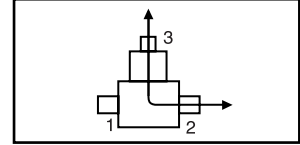
Universal



Energized



De-Energized



Pipe Size NPT	Orifice Size IN		C _v		Operating Pressure Differential (psi)						Max Fluid Temp. °F	Seal Material	Power Consumption (Watts)		Model Code (120V/60HZ — 110V/50HZ Shown)
	Main	Top	Main	Top	Maximum								AC	DC	
					Air/Gas		Water		Light Oil						
					AC	DC	AC	DC	AC	DC					
1/4	3/64	1/16	.05	.10	150	120	150	120	—	—	295	EPR	10	10	S306GF02C8BV1
	1/16	1/16	.08	.10	120	100	120	100	—	—	295	EPR	10	10	S306GF02C8BC5
	3/32	3/32	.18	.23	75	25	75	25	—	—	295	EPR	10	10	S306GF02C8BC9
	1/8	3/32	.30	.23	75	20	75	20	—	—	295	EPR	10	10	S306GF02C8BV3
	5/32	3/32	.41	.23	60	20	60	20	—	—	295	EPR	10	10	S306GF02C8BV7
	3/16	3/32	.53	.23	30	20	30	20	—	—	295	EPR	10	10	S306GF02C8BV9
1/4	3/64	1/16	.05	.10	150	120	150	120	150	120	180	Nitrile	10	10	S306GF02N8BV1
	1/16	1/16	.08	.10	120	100	120	100	120	100	180	Nitrile	10	10	S306GF02N8BC5
	3/32	3/32	.18	.23	75	25	75	25	75	25	180	Nitrile	10	10	S306GF02N8BC9
	1/8	3/32	.30	.23	75	20	75	20	75	20	180	Nitrile	10	10	S306GF02N8BV3
	5/32	3/32	.41	.23	60	20	60	20	60	20	180	Nitrile	10	10	S306GF02N8BV7
	3/16	3/32	.53	.23	30	20	30	20	30	20	180	Nitrile	10	10	S306GF02N8BV9
1/4	3/64	1/16	.05	.10	150	120	150	120	150	120	230	Viton	10	10	S306GF02V8BV1
	1/16	1/16	.08	.10	120	100	120	100	120	100	230	Viton	10	10	S306GF02V8BC5
	3/32	3/32	.18	.23	75	25	75	25	75	25	230	Viton	10	10	S306GF02V8BC9
	1/8	3/32	.30	.23	75	20	75	20	75	20	230	Viton	10	10	S306GF02V8BV3
	5/32	3/32	.41	.23	60	20	60	20	60	20	230	Viton	10	10	S306GF02V8BV7
	3/16	3/32	.53	.23	30	20	30	20	30	20	230	Viton	10	10	S306GF02V8BV9
1/4	3/64	1/16	.05	.10	200	200	200	200	200	200	366*	Teflon	10	10	S306GF02T8BV1
	1/16	1/16	.08	.10	150	150	150	150	150	150	366*	Teflon	10	10	S306GF02T8BC5
	3/32	3/32	.18	.23	100	100	100	100	100	100	366*	Teflon	10	10	S306GF02T8BC9
	1/8	3/32	.30	.23	75	75	75	75	75	75	366*	Teflon	10	10	S306GF02T8BV3
	5/32	3/32	.41	.23	50	50	50	50	50	50	366*	Teflon	10	10	S306GF02T8BV7
	3/16	3/32	.53	.23	30	30	30	30	30	30	366*	Teflon	10	10	S306GF02T8BV9

* Class H Coil Recommended for High Temperature Applications

GC Valves Customer Service: 800-828-0484 (7:30am to 4pm ET) or 800-582-4232 (7:30am to 4pm PT)

S306 – 1/4" NPT, Brass Body, Universal



Part Numbering

1	2	3	4	5	6	7	8	9	10	11	12	13
S	3	0	6	G	F	0	2	C	8	B	V	1
Series			Operating Mode	Housing*	Coil Class*	Voltage*		Seal Material	Body Material	Pipe Connection	Orifice Size (Main x Top)	
S30			6: Universal	G: Conduit	F: Class F	02: 120/60 110/50		C: EPR N: Nitrile V: Viton T: Teflon	8: Brass	B: 1/4" NPT	V1: 3/64" x 1/16" C5: 1/16" x 1/16" C9: 3/32" x 3/32" V3: 1/8" x 3/32" V7: 5/32" x 3/32" V9: 3/16" x 3/32"	
* See the "Engineering Guide" for additional voltages, variations and options.												

Coil Data

Coil Family	
Type	Size
All	S4

Frequency (Hz)	60	50
Nominal Power (VA)	Inrush	46
	Holding	20



S306 – 1/4" NPT, Brass Body, Universal

This Page Intentionally Blank