

- 1/2" NPT
- Nylon Body
- 2-Way Zero Differential  
Piloted Diaphragm
- Normally Open



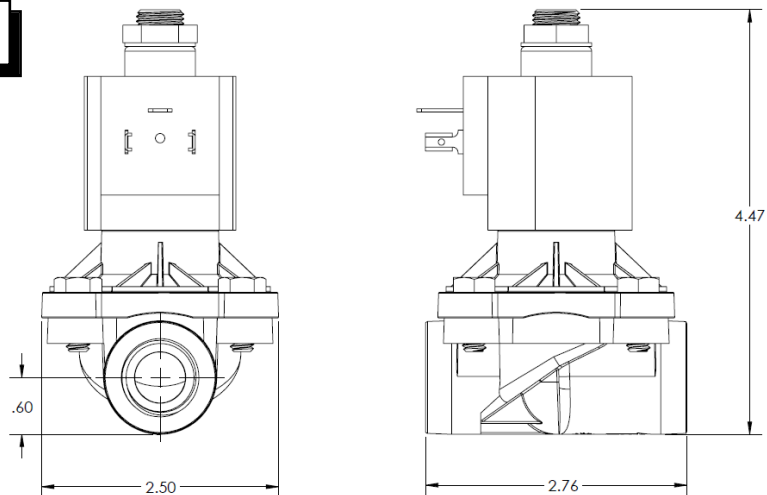
Materials	Seals:	Nitrile, FKM, EPDM
	Orifice:	Pilot Main
Electrical	Standard Housing:	Encapsulated Waterproof Conduit (NEMA 4X)
	Optional Housings:	Metal Conduit, Explosion-Proof (NEMA 7), Grommet Open Frame, Junction Box (single or dual knockouts), DIN, Contact GC Valves Customer Svc. For others.
	Standard Voltages:	24, 120, 240, AC, 60 and/or 50 Hz. Available 6, 12, 24 DC Contact GC Valves Customer Svc. For Additional Voltages
	Voltage Tolerance:	± 10% of applicable voltage
	Coil Classes:	F, H, N
	Standard Lead Length:	24 inches
Operating Temperature	Ambient (Nominal):	32° F to 125° F
Mounting	Position:	Any
Approvals*	Agency:	UL Recognized, CSA Approved, CE Certified

\* Not available for all variations

## Dimensions/Weight

**Weight (oz.)**

15.7



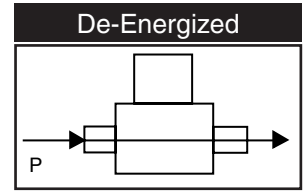
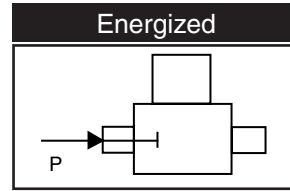
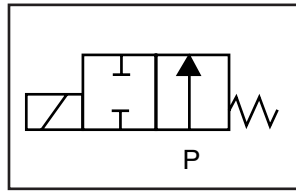
GC Valves Customer Service: 800-828-0484 (7:30 AM to 5:00 PM ET)



# S202 – 1/2" NPT, Nylon Body, Normally Open

## Valve Selection List

Normally Open



Pipe Size NPT	Orifice Size IN	C <sub>v</sub>	Minimum	Operating Pressure Differential (psi)				Max Fluid Temp. °F	Seal Material	Power Consumption (Watts)		Model Code ( 120V/60HZ — 110V/50HZ Shown )
				Maximum						AC	DC	
				Air/Gas		Water						
				AC	DC	AC	DC			AC	DC	Nylon Body
1/2	5/8	4.3	0	200	125	200	125	180	EPDM	11	10	S202GF02CPDG4
	5/8	4.3	0	200	125	200	125	180	Nitrile	11	10	S202GF02NPDG4
	5/8	4.3	0	200	125	200	125	180	Viton	11	10	S202GF02VPDG4

## Part Numbering

1	2	3	4	5	6	7	8	9	10	11	12	13
<b>S</b>	<b>2</b>	<b>0</b>	<b>2</b>	<b>G</b>	<b>F</b>	<b>0</b>	<b>2</b>	<b>C</b>	<b>P</b>	<b>D</b>	<b>G</b>	<b>4</b>
Series			Operating Mode	Housing*	Coil Class*	Voltage*		Seal Material	Body Material	Pipe Connection	Orifice Size	
S20			2: Normally Open	G: Conduit Y: DIN	F: Class F	02: 120/60 110/50		C: EPDM N: Nitrile V: Viton	P: Nylon	D: 1/2" NPT	G4: 5/8"	
* See the "Engineering Guide" for additional voltages, variations and options.												

## Coil Data

Coil Family	
Type	Size
All	S4

Frequency (Hz)	60	50	
Nominal Power (VA)	Inrush	46	46
	Holding	22	25

GC Valves Customer Service: 800-828-0484 (7:30 am to 5:00 pm ET)