

- 1 1/2" NPT
- Stainless Steel Body
Type 316
- 2-Way Zero Differential
Piloted Diaphragm
- Normally Closed



Materials	Seals:	Nitrile, Viton®, Ethylene Propylene
	Orifice:	Pilot Main
Electrical	Standard Housing:	Conduit (NEMA 1)
	Optional Housings:	Watertight (NEMA 4), Junction Box. Contact GC Valves Customer Service for others.
	Standard Voltages:	24, 120, 240 AC 60 Hz; 50 Hz available 12, 24 DC; Contact GC Valves Customer Service for Additional Voltages.
	Voltage Tolerance:	±10% of applicable voltage
	Coil Classes:	F, H
	Standard Lead Length:	18 inch
Operating Temperature	Ambient (Nominal):	32°F to 125°F
Mounting	Position:	Vertical and Upright
Approvals*	Agency:	UL Listed, UL Recognized, CSA Approved

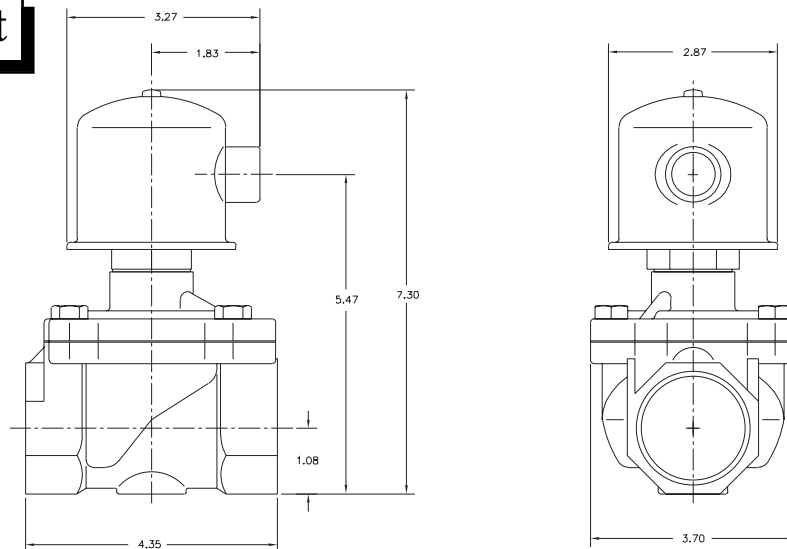
* Not available for all variations

® Registered Trademark of DuPont Co.

Dimensions/Weight

Weight (lbs.)

6.7



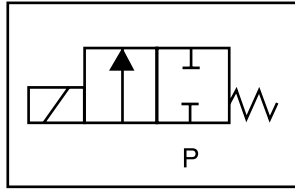
GC Valves Customer Service: 800-828-0484 (7:30am to 4pm ET) or 800-582-4232 (7:30am to 4pm PT)



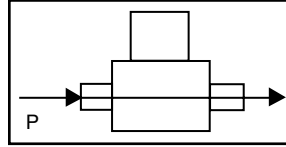
S271 – 1 1/2" NPT, Stainless Steel Body, Type 316 Normally Closed

Valve Selection List

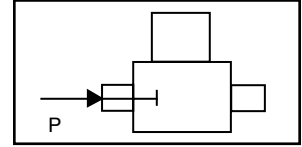
Normally Closed



Energized



De-Energized



Pipe Size NPT	Orifice Size IN	C _v	Operating Pressure Differential (psi)								Max Fluid Temp. °F	Seal Material	Power Consumption (Watts)		Model Code (120V/60HZ — 110V/50HZ Shown)	
			Maximum										AC	DC		
			Air/Gas		Water		Light Oil		Steam*						Stainless Steel Body Type 316	
1 1/2	1 1/4	25	0	125	125	50	50	—	—	—	—	295	EPR	17.5	22.5	S271AF02E7HJ2
	1 1/4	25	0	125	125	50	50	70	70	—	—	180	Nitrile	17.5	22.5	S271AF02J7HJ2
	1 1/4	25	0	125	125	50	50	70	70	—	—	230	Viton	17.5	22.5	S271AF02L7HJ2
	1 1/4	25	0	—	—	—	—	—	—	50*	—	295	EPR	17.5	22.5	S271AH02E7HJ2

* Class H Coil Recommended for Steam and Other High Temperature Applications

Part Numbering

1	2	3	4	5	6	7	8	9	10	11	12	13
S	2	7	1	A	F	0	2	E	7	H	J	2
Series			Operating Mode	Housing*	Coil Class*	Voltage*		Seal Material	Body Material	Pipe Connection	Orifice Size	
S27			1: Normally Closed	A: Conduit	F: Class F H: Class H	02: 120/60 110/50		E: EPR J: Nitrile L: Viton	7: 316 SS	H: 1 1/2" NPT	J2: 1 1/4"	
* See the "Engineering Guide" for additional voltages, variations and options.												

Coil Data

Coil Family	
Type	Size
All	S5

Frequency (Hz)	60	50
Nominal Power (VA)	Inrush	130
	Holding	22

GC Valves Customer Service: 800-828-0484 (7:30am to 4pm ET) or 800-582-4232 (7:30am to 4pm PT)