

- 1 1/2" NPT
- Brass Body
- 2-Way Zero Differential  
Piloted Diaphragm
- Normally Closed



Materials	Seals:	Nitrile, Viton®, Ethylene Propylene
	Orifice:	Pilot: Stainless Steel Main: Brass Ø 1 1/4"
Electrical	Standard Housing:	Conduit (NEMA 1)
	Optional Housings:	Watertight (NEMA 4), Junction Box. Contact GC Valves Customer Service for others.
	Standard Voltages:	24, 120, 240 AC 60 Hz; 50 Hz available 12, 24 DC; Contact GC Valves Customer Service for Additional Voltages.
	Voltage Tolerance:	±10% of applicable voltage
	Coil Classes:	F, H
	Standard Lead Length:	18 inch
Operating Temperature	Ambient (Nominal):	32°F to 125°F
Mounting	Position:	Vertical and Upright
Approvals*	Agency:	UL Listed, UL Recognized, CSA Approved

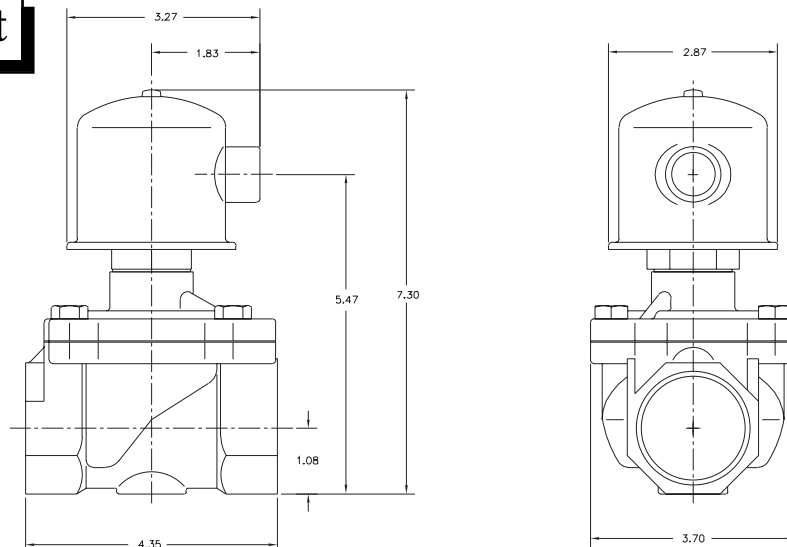
\* Not available for all variations

® Registered Trademark of DuPont Co.

## Dimensions/Weight

Weight (lbs.)

6.7



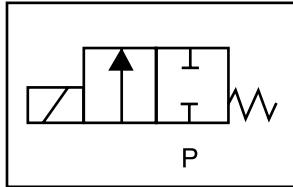
GC Valves Customer Service: 800-828-0484 (7:30am to 4pm ET) or 800-582-4232 (7:30am to 4pm PT)



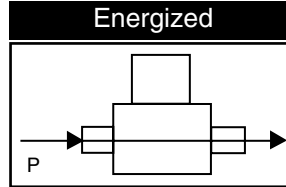
# S27 – 1 1/2" NPT, Brass Body, Normally Closed

## Valve Selection List

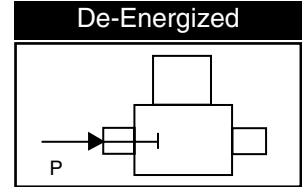
Normally Closed



Energized



De-Energized



Pipe Size NPT	Orifice Size IN	C <sub>v</sub>	Operating Pressure Differential (psi)								Max Fluid Temp. °F	Seal Material	Power Consumption (Watts)		Model Code ( 120V/60HZ — 110V/50HZ Shown )	
			Minimum				Maximum						AC	DC		
			Air/Gas		Water		Light Oil		Steam*							
			AC	DC	AC	DC	AC	DC	AC	DC					Brass Body	
1 1/2	1 1/4	25	0	125	125	50	50	—	—	—	—	295	EPR	17.5	22.5	S271AF02C5HJ2
	1 1/4	25	0	125	125	50	50	70	70	—	—	180	Nitrile	17.5	22.5	S271AF02N5HJ2
	1 1/4	25	0	125	125	50	50	70	70	—	—	230	Viton	17.5	22.5	S271AF02V5HJ2
	1 1/4	25	0	—	—	—	—	—	—	50*	—	295	EPR	17.5	—	S271AH02C5HJ2

\* Class H Coil Recommended for Steam and Other High Temperature Applications

## Part Numbering

1	2	3	4	5	6	7	8	9	10	11	12	13
<b>S</b>	<b>2</b>	<b>7</b>	<b>1</b>	<b>A</b>	<b>F</b>	<b>0</b>	<b>2</b>	<b>C</b>	<b>5</b>	<b>H</b>	<b>J</b>	<b>2</b>
Series			Operating Mode	Housing*	Coil Class*	Voltage*		Seal Material	Body Material	Pipe Connection	Orifice Size	
S27			1: Normally Closed	A: Conduit	F: Class F H: Class H	02: 120/60 110/50		C: EPR N: Nitrile V: Viton	5: Brass	H: 1 1/2" NPT	J2: 1 1/4"	
* See the "Engineering Guide" for additional voltages, variations and options.												

## Coil Data

Coil Family	
Type	Size
All	S5

Frequency (Hz)	60	50	
Nominal Power (VA)	Inrush	130	130
	Holding	22	28

GC Valves Customer Service: 800-828-0484 (7:30am to 4pm ET) or 800-582-4232 (7:30am to 4pm PT)