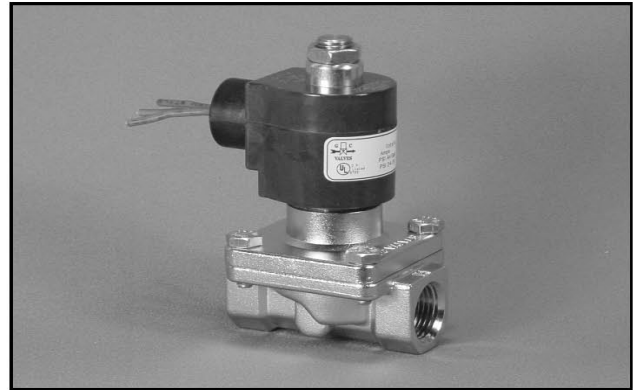


- 3/4" NPT
- 316 SS Body
- 2-Way Zero Differential
Piloted Diaphragm
- Normally Open

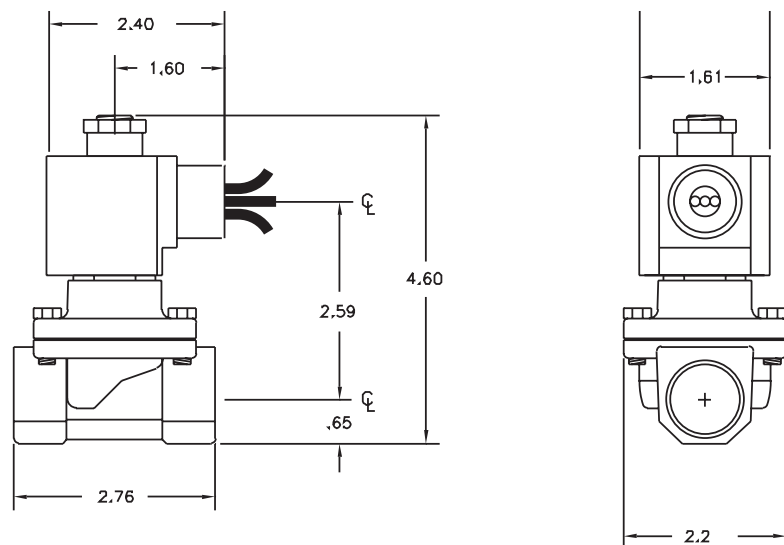


Materials	Seals:	Santoprene/NSF Approved EPDM
	Orifice:	Pilot Main
Electrical	Housing:	NEAM 4/4X Encapsulated - 1/2" Conduit
	Optional Housings:	Contact GC Valves Customer Svc. for available options.
	Voltage:	120 VAC 50/60 Hz Contact GC Valves Customer Svc. for available options.
	Voltage Tolerance:	± 10% of applicable voltage
	Coil Classes:	F, H, N
Operating Temperature	Ambient (Nominal):	32° F to 125° F
Mounting	Position:	Any
Approvals*	Agency:	NSF/ANSI - 61-G / NSF-372 / UR Recognized

* Not available for all variations

Dimensions / Weight

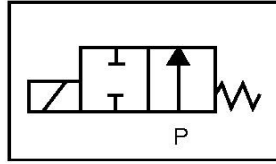
Weight (lbs.)
2.2



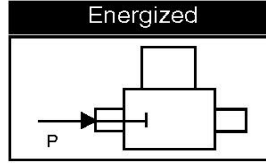
GC Valves Customer Service: 800-828-0484 (7:30 AM to 5:00 PM ET)

Valve Selection List

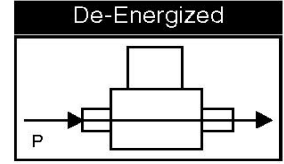
Normally Open



Energized



De-Energized



Pipe Size NPT	Orifice Size IN	C _v	Operating Pressure Differential (psi)								Max Fluid Temp. °F	Seal Material EPR Santo	Power Consumption (Watts)		Model Code (120V/60HZ — 110V/50HZ) Shown
			Minimum				Maximum						AC	DC	
			Air/Gas		Water		Light Oil		Steam*	AC					DC
3/4	3/4	6.7	0	—	—	200	125	—	—	—	295	11	10	Stainless Steel Body Type 316 NS202GF02F7EG5	

* Class H Coil Recommended for Steam and Other High Temperature Applications

Part Numbering

1	2	3	4	5	6	7	8	9	10	11	12	13	14
N	S	2	0	2	G	F	0	2	F	7	E	G	5
Series				Operating Mode	Housing*	Coil Class*	Voltage*		Seal Material	Body Material	Pipe Connection	Orifice Size	
NS20				2: Normally Open	G: 1/2" Conduit	F: Class F H: Class H	02: 120/60 110/50		F: Santo/ EPDM	7: 316 SS	E: 3/4" NPT	G5: 3/4"	
* See the "Engineering Guide" for additional voltages, variations and options.													

Coil Data

Coil Family	
Type	Size
ALL	S4

Frequency (Hz)	60	50
Nominal Power (VA)	Inrush	46
	Holding	25

GC Valves Customer Service: 800-828-0484 (7:30 AM to 5:00 PM ET)