



A DEMA Engineering Company

NS21 Series



Certified to NSF/ANSI/CAN 61-G & 372

- 1" NPT
- 316 Stainless Steel Body
- 2-Way Piloted Diaphragm
- Normally Open

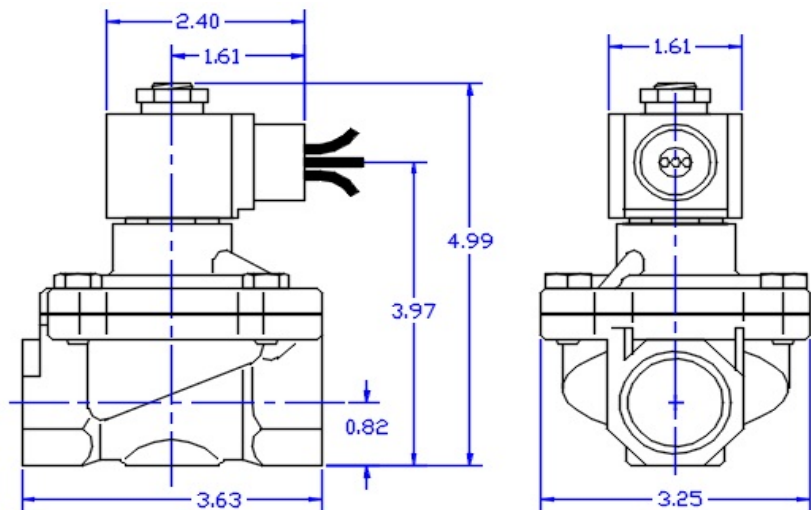


Materials	Seals:	NSF Approved Ethylene Propylene
	Orifice:	Stainless Steel
Electrical	Standard Housing:	Encapsulated Waterproof Conduit (NEMA 4X)
	Optional Housings:	Metal Conduit, Explosion-Proof (NEMA 7), Grommet Open Frame, Junction Box (single or dual knockouts), DIN, Contact GC Valves Customer Svc. For others.
	Standard Voltages:	24, 120, 240, AC, 60 and/or 50 Hz. Available 6, 12, 24 DC Contact GC Valves Customer Svc. For Additional Voltages
	Voltage Tolerance:	± 10% of applicable voltage
	Coil Classes:	F, H, N
	Standard Lead Length:	24 inches
Operating Temperature	Ambient (Nominal):	32° F to 125° F
Mounting	Position:	Upright and Vertical
Approvals*	Agency:	NSF/ANSI - 61/ NSF-372/ UR -CSA Recognized

* Not available for all variations

Dimensions / Weight

Weight (Lbs.)
3.9



GC Valves Customer Service: 800-828-0484 (7:30 AM to 5:00 PM ET)

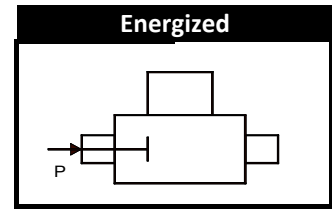
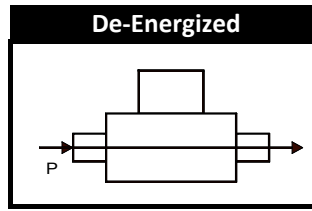
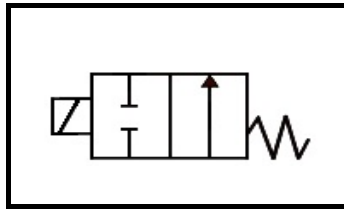
1-S-NS212-1



NS212 - 1" NPT, Stainless Steel Body, Normally Open

Valve Selection List

Normally Open



Pipe Size	Orifice Size	Cv	Operating Pressure Differential (PSI)								Max. Fluid Temp.	Seal Material	Power Consumption (Watts)		Model Code (120V/60HZ-110V/50HZ) Shown	
			Minimum	Maximum									°F	AC		DC
				Air/Gas		Water		Light Oil		Steam*						
NPT	In.			AC	DC	AC	DC	AC	DC	AC	DC			AC	DC	Stainless Steel Body
1	1	13	5	200	150	150	150	---	---	50	50	295	EPR	9	9	NS212GF02C7FG9

Part Numbering

1	2	3	4	5	6	7	8	9	10	11	12	13
NS	2	1	2	G	F	0	2	C	7	F	G	9
Series		Operating Mode		Hsg	Coil		Voltage		Seal Mat'l	Body Mat'l	Pipe Size	Orifice Size
NS21		1: N.O.		G: Conduit Y: DIN A: Conduit U: J-Box P Opn Frame	F: F Class H: H Class		02: 120/60 110/50 04: 240/60 220/50 24: 24/60 24/50 15: 12 VDC 16: 24 VDC		C: EPDM	7: 316 SS	F: 1"	G9: 1"

Coil Data

Coil Family	
Type	Size
All	S3

Frequency (Hz)		60	50
Nominal Power (VA)	Inrush	36	36
	Holding	18	19

GC Valves Customer Service: 800-828-0484 (7:30 AM to 5:00 PM ET)