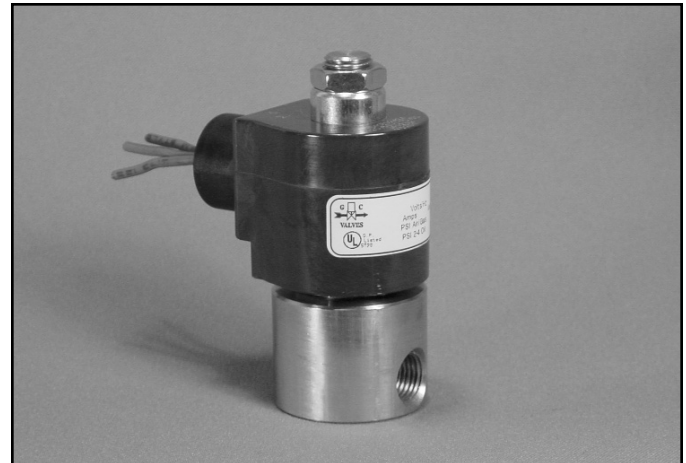


## 1/4" NPT Stainless Steel Body 2-Way Direct Acting Normally Open

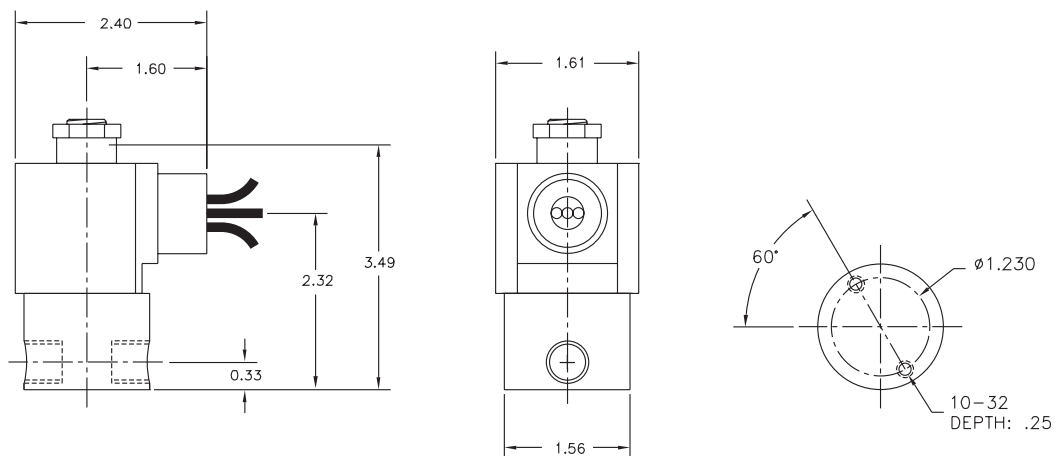


Materials	Seals:	NSF Approved EPDM
	Orifice:	Stainless Steel
Electrical	Standard Housing:	NEAM 4/4X Encapsulated - 1/2" Conduit
	Optional Housings:	Contact GC Valves Customer Service for available options.
	Standard Voltages:	24, 120, 240 AC 60 Hz; 50 Hz available 6, 12, 24 DC; Contact GC Valves Customer Service for Additional Voltages.
	Voltage Tolerance:	±10% of applicable voltage
	Coil Classes:	F, H, N
	Standard Lead Length:	24 inch
Operating Temperature	Ambient (Nominal):	32°F to 125°F
Mounting	Position:	Any
Approvals*	Agency:	NSF/ANSI - 61-G / NSF-372 / UR Recognized

\* Not available for all variations

### Dimensions/Weight

<b>Weight (lbs.)</b>
1.1

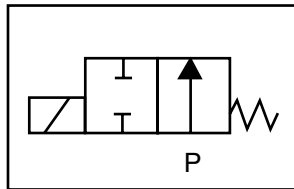




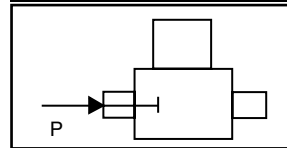
# NS302 – 1/4" NPT, Stainless Steel Body, Normally Open

## Valve Selection List

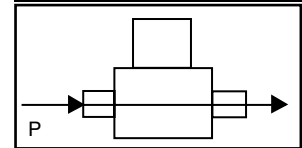
Normally Open



Energized



De-Energized



Pipe Size NPT	Orifice Size in.	C <sub>v</sub>	Operating Pressure Differential (psi)								Max Fluid Temp. °F	Seal Material	Power Consumption (Watts)		Model Code (120V/60HZ — 110V/50HZ Shown)	
			Maximum										AC	DC		
			Air/Gas		Water		Light Oil		Steam*							
			AC	DC	AC	DC	AC	DC	AC	DC			AC	DC	Stainless Steel Body	
1/4	1/32	.03	0	—	—	2400	2400	—	—	—	—	176	EPR	11	10	NS302GF02C3BC1
	3/64	.05	0	—	—	600	600	—	—	—	—	176	EPR	11	10	NS302GF02C3BC3
	1/16	.10	0	—	—	325	325	—	—	—	—	176	EPR	11	10	NS302GF02C3BC5
	5/64	.15	0	—	—	235	235	—	—	—	—	176	EPR	11	10	NS302GF02C3BC7
	3/32	.20	0	—	—	150	150	—	—	—	—	176	EPR	11	10	NS302GF02C3BC9
	7/64	.25	0	—	—	125	125	—	—	—	—	176	EPR	11	10	NS302GF02C3BD3
	1/8	.30	0	—	—	100	100	—	—	—	—	176	EPR	11	10	NS302GF02C3BD5
	5/32	.43	0	—	—	60	60	—	—	—	—	176	EPR	11	10	NS302GF02C3BD7
3/16	.65	0	—	—	40	40	—	—	—	—	176	EPR	11	10	NS302GF02C3BE1	

\* Class H Coil Recommended for Steam and Other High Temperature Applications

## Part Numbering

1	2	3	4	5	6	7	8	9	10	11	12	13	14
<b>N</b>	<b>S</b>	<b>3</b>	<b>0</b>	<b>2</b>	<b>G</b>	<b>F</b>	<b>0</b>	<b>2</b>	<b>C</b>	<b>3</b>	<b>B</b>	<b>C</b>	<b>1</b>
Series				Operating Mode	Housing*	Coil Class*	Voltage*		Seal Material	Body Material	Pipe Connection	Orifice Size	
NS30				2: Normally Open	G: Conduit	F: Class F H: Class H	02: 120/60 110/50		C: EPR	3: Stainless Steel	B: 1/4" NPT	C1: 1/32" C3: 3/64" C5: 1/16" C7: 5/64" C9: 3/32" D3: 7/64" D5: 1/8" D7: 5/32" E1: 3/16"	

\* See the "Engineering Guide" for additional voltages, variations and options.

## Coil Data

Coil Family			
Type	Size	Frequency (Hz)	
All	S4		60 50
		Nominal Power (VA)	Inrush 46 46
			Holding 22 25

GC Valves Customer Service: 800-828-0484 (7:30am to 4pm ET) or 800-582-4232 (7:30am to 4pm PT)