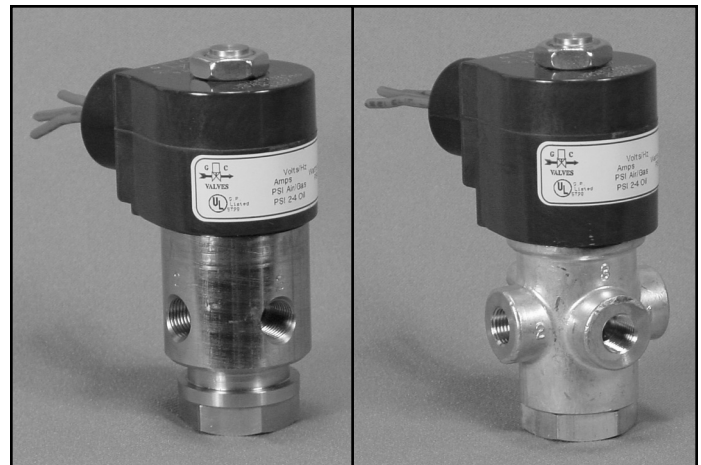


S33 Series



- 1/8" NPT
- Brass Body
- 3-Way Direct Acting
- Universal



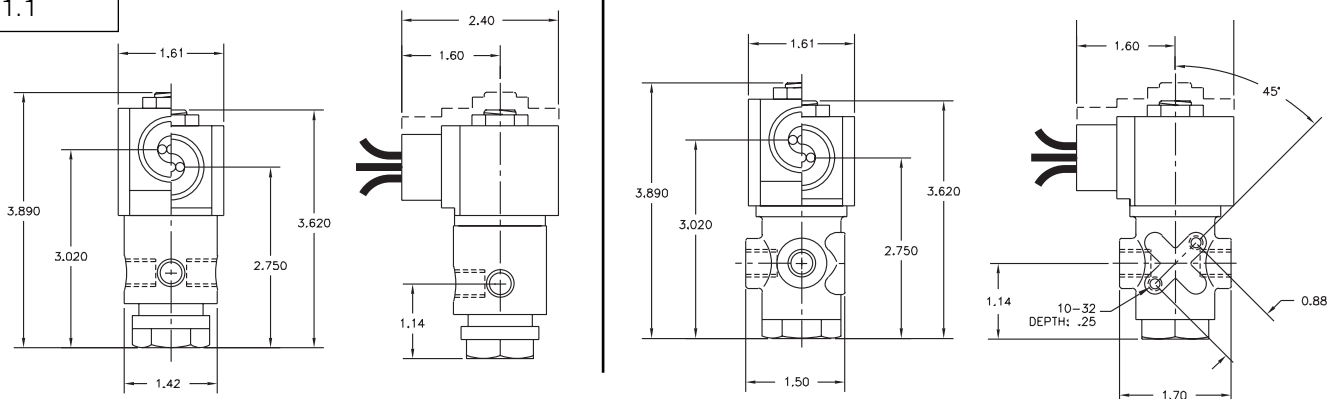
Materials	Seals:	Nitrile, Viton®, Ethylene Propylene
	Orifices:	Brass
Electrical	Standard Housing:	Encapsulated Waterproof Conduit (NEMA 4/4X)
	Optional Housings:	Metallic Conduit, Explosion-proof (NEMA 7), Grommet, Open Frame, Junction Box (single or dual knockouts), DIN; Contact GC Valves Customer Service for others.
	Standard Voltages:	24, 120, 240 AC 60 Hz; 50 Hz available 6, 12, 24 DC; Contact GC Valves Customer Service for Additional Voltages.
	Voltage Tolerance:	±10% of applicable voltage
	Coil Classes:	F, H, N
	Standard Lead Length:	24 inch
Operating Temperature	Ambient (Nominal):	32°F to 125°F
Mounting	Position	Any
Approvals*	Agency	UL Listed, UL Recognized, CSA Approved

* Not available for all variations

® Registered Trademark of DuPont Co.

Dimensions/Weight

Weight (lbs.)
1.1



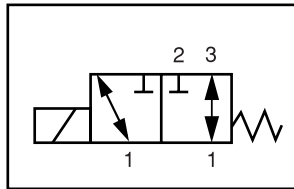
GC Valves Customer Service: 800-828-0484 (7:30am to 4pm ET) or 800-582-4232 (7:30am to 4pm PT)



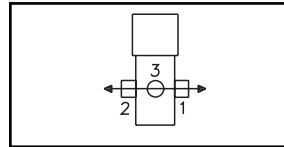
S336 – 1/8" NPT, Brass Body, Universal

Valve Selection List

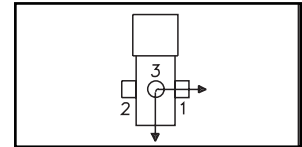
Universal



Energized



De-Energized



Pipe Size NPT	Orifice Size IN	C _v	Minimum	Operating Pressure Differential (psi)						Max Fluid Temp. °F	Seal Material	Power Consumption (Watts)		Model Code (120V/60HZ — 110V/50HZ) Shown	
				Maximum								AC	DC		
				Air/Gas		Water		Light Oil							
				AC	DC	AC	DC	AC	DC			AC	DC	Brass Body	
Reduced Power	1/8	1/16	.09	0	90	50	90	50	—	—	295	EPR	8	9	S336GF02C3AC5
	3/32	.15	0	55	40	55	40	—	—	295	EPR	8	9	S336GF02C3AC9	
	1/8	.26	0	25	20	25	20	—	—	295	EPR	8	9	S336GF02C3AD5	
1/8	1/16	.09	0	100	80	100	80	—	—	295	EPR	10	10	S336GF02C4AC5	
	3/32	.15	0	60	50	60	50	—	—	295	EPR	10	10	S336GF02C4AC9	
	1/8	.31	0	34	30	34	30	—	—	295	EPR	10	10	S336GF02C4AD5	
	11/64	.38	0	22	11	22	11	—	—	295	EPR	10	10	S336GF02C4AD8	
Reduced Power	1/8	1/16	.09	0	90	50	90	50	90	50	180	Nitrile	8	9	S336GF02N3AC5
	3/32	.15	0	55	40	55	40	55	40	180	Nitrile	8	9	S336GF02N3AC9	
	1/8	.26	0	25	20	25	20	25	20	180	Nitrile	8	9	S336GF02N3AD5	
1/8	1/16	.09	0	100	80	100	80	100	80	180	Nitrile	10	10	S336GF02N4AC5	
	3/32	.15	0	60	50	60	50	60	50	180	Nitrile	10	10	S336GF02N4AC9	
	1/8	.31	0	34	30	34	30	34	30	180	Nitrile	10	10	S336GF02N4AD5	
	11/64	.38	0	22	11	22	11	22	11	180	Nitrile	10	10	S336GF02N4AD8	
Reduced Power	1/8	1/16	.09	0	90	50	90	50	90	50	230	Viton	8	9	S336GF02V3AC5
	3/32	.15	0	55	40	55	40	55	40	230	Viton	8	9	S336GF02V3AC9	
	1/8	.26	0	25	20	25	20	25	20	230	Viton	8	9	S336GF02V3AD5	
1/8	1/16	.09	0	100	80	100	80	100	80	230	Viton	10	10	S336GF02V4AC5	
	3/32	.15	0	60	50	60	50	60	50	230	Viton	10	10	S336GF02V4AC9	
	1/8	.31	0	34	30	34	30	34	30	230	Viton	10	10	S336GF02V4AD5	
	11/64	.38	0	22	11	22	11	22	11	230	Viton	10	10	S336GF02V4AD8	

* Class H Coil Recommended for High Temperature Applications

GC Valves Customer Service: 800-828-0484 (7:30am to 4pm ET) or 800-582-4232 (7:30am to 4pm PT)

S336 – 1/8" NPT, Brass Body, Universal



Part Numbering

1	2	3	4	5	6	7	8	9	10	11	12	13
S	3	3	6	G	F	0	2	C	3	A	C	5
Series			Operating Mode	Housing*	Coil Class*	Voltage*		Seal Material	Body Material	Pipe Connection	Orifice Size	
S33			6: Universal	G: Conduit	F: Class F	02: 120/60 110/50		C: EPR N: Nitrile V: Viton	3: Brass 4: Brass	A: 1/8" NPT	C5: 1/16" C9: 3/32" D5: 1/8" D8: 11/64"	
* See the "Engineering Guide" for additional voltages, variations and options.												

Coil Data

Coil Family	
Type	Size
(Body Code)	
3	S3
4	S4

Frequency (Hz)	60		50	
	3	4	3	4
Body				
Nominal Power (VA)				
Inrush	36	46	36	46
Holding	13	18	13	19



S336 – 1/8" NPT, Brass Body, Universal

This Page Intentionally Blank