

- 3/8" NPT
- Stainless Steel Body
- 2-Way Piloted Piston
- Normally Open

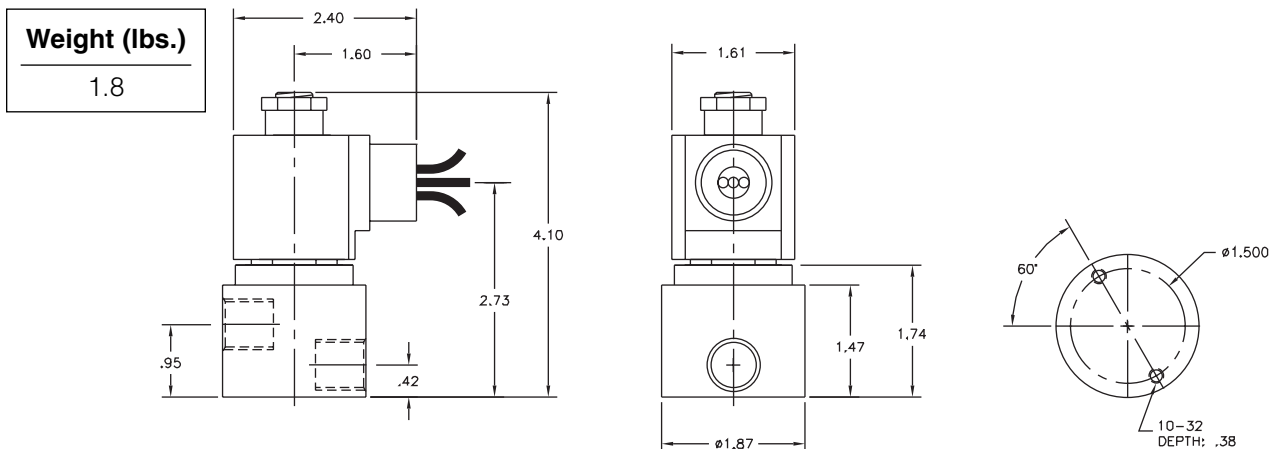


Materials	Seals:	Nitrile, Viton®, Teflon®, Ethylene Propylene
	Orifice: Pilot Main	Stainless Steel Stainless Steel Ø 3/8"
Electrical	Standard Housing:	Encapsulated Waterproof Conduit (NEMA 4/4X)
	Optional Housings:	Metallic Conduit, Explosion-proof (NEMA 7), Grommet, Open Frame, Junction Box (single or dual knockouts), DIN; Contact GC Valves Customer Service for others.
	Standard Voltages:	24, 120, 240 AC 60 Hz; 50 Hz available 6, 12, 24 DC; Contact GC Valves Customer Service for Additional Voltages.
	Voltage Tolerance:	±10% of applicable voltage
	Coil Classes:	F, H, N
	Standard Lead Length:	24 inch
Operating Temperature	Ambient (Nominal):	32°F to 125°F
Mounting	Position:	Any
Approvals*	Agency:	UL Listed, UL Recognized, CSA Approved

* Not available for all variations

© Registered Trademark of DuPont Co.

Dimensions/Weight



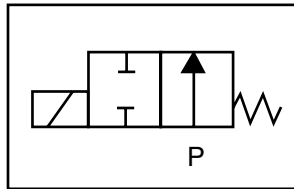
GC Valves Customer Service: 800-828-0484 (7:30am to 4pm ET) or 800-582-4232 (7:30am to 4pm PT)



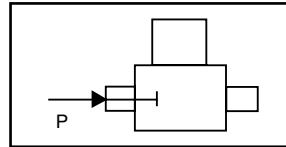
S402 – 3/8" NPT, Stainless Steel Body, Normally Open

Valve Selection List

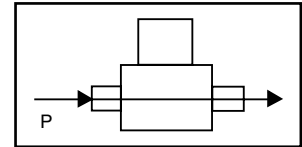
Normally Open



Energized



De-Energized



Pipe Size NPT	Orifice Size IN	C _v	Operating Pressure Differential (psi)								Max Fluid Temp. °F	Seal Material	Power Consumption (Watts)		Model Code (120V/60HZ — 110V/50HZ) Shown	
			Minimum		Maximum				AC	DC			Stainless Steel Body			
			AC	DC	Air/Gas	Water	#5 and #6 Heated Fuel Oil	Steam*					AC	DC		
3/8	3/8	1.0	0	300	150	300	150	—	—	—	—	295	EPR	10	10	S402GF02C1CF5
	3/8	1.0	0	300	150	300	150	300	150	—	—	180	Nitrile	10	10	S402GF02N1CF5
	3/8	1.0	0	300	150	300	150	300	150	—	—	230	Viton	10	10	S402GF02V1CF5
	3/8	1.0	0	300	150	300	150	300	150	—	—	366	Teflon	10	10	S402GF02T1CF5
	3/8	1.0	0	—	—	—	—	—	—	50*	50*	295	EPR**	10	10	S402GH02E1CF5
	3/8	1.0	0	—	—	—	—	—	—	150*	150*	366	Teflon**	10	9	S402GH02S1CF5

* Class H Coil Recommended for Steam and Other High Temperature Applications

Part Numbering

1	2	3	4	5	6	7	8	9	10	11	12	13
S	4	0	2	G	F	0	2	C	1	C	F	5
Series			Operating Mode	Housing*	Coil Class*	Voltage*		Seal Material	Body Material	Pipe Connection	Orifice Size	
S40			2: Normally Open	G: Conduit	F: Class F H: Class H	02: 120/60 110/50		C: EPR N: Nitrile V: Viton T: Teflon E: EPR** S: Teflon**	1: Stainless Steel	C: 3/8" NPT	F5: 3/8"	

* See the "Engineering Guide" for additional voltages, variations and options.

**For Steam Service

Coil Data

Coil Family	
Type	Size
All	S4

Frequency (Hz)	60	50	
Nominal Power (VA)	Inrush	46	46
	Holding	22	25

GC Valves Customer Service: 800-828-0484 (7:30am to 4pm ET) or 800-582-4232 (7:30am to 4pm PT)