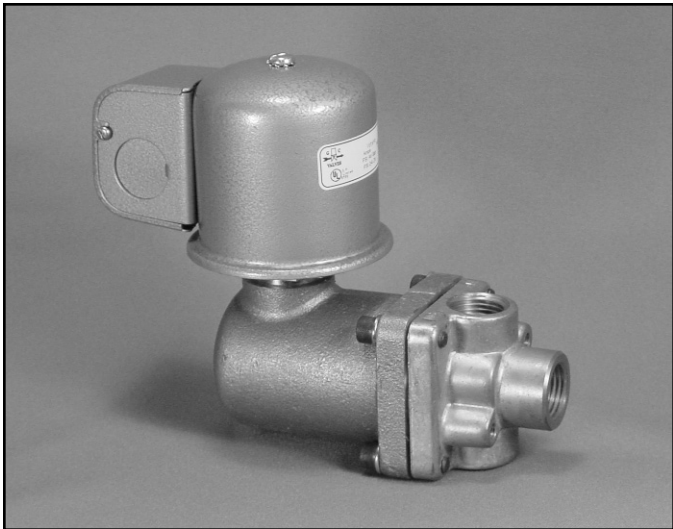


- 3/8" NPT
- Compact Brass Body
- 3-Way Lever-Acting
- Universal

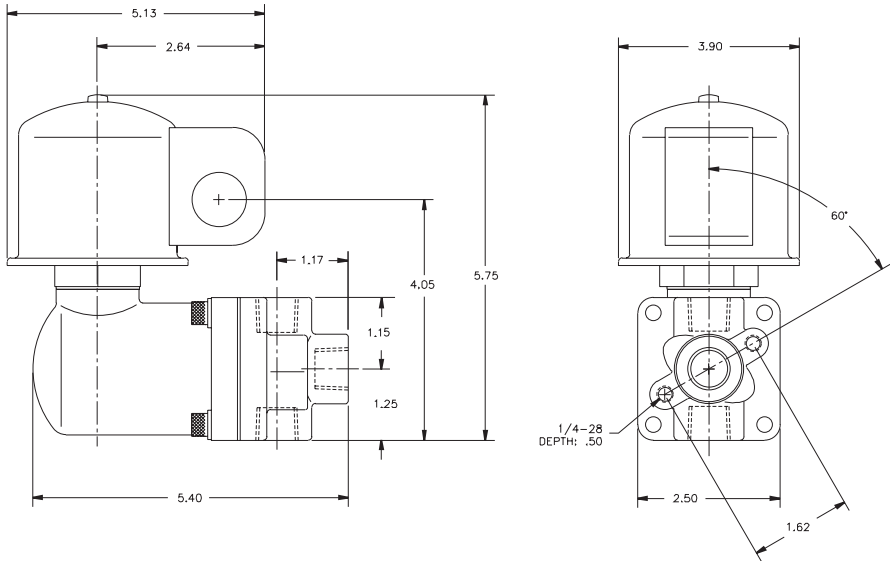


Materials	Seals:	Stainless Steel
	Orifices:	Stainless Steel
Electrical	Standard Housing:	Junction Box
	Optional Housings:	Conduit (NEMA1), Watertight (NEMA 4)
	Standard Voltages:	24, 120, 240 AC 60 Hz; 50 Hz available. Contact GC Valves Customer Service for additional voltages.
	Voltage Tolerance:	±10% of applicable voltage
	Coil Classes:	F, H
	Standard Lead Length:	6 inch
Operating Temperature	Ambient (Nominal):	32° to 125°F
Mounting	Position:	Vertical Only
Approvals*	Agency:	UL Listed

* Not available for all variations

Dimensions/Weight

Weight (lbs.)
4.5

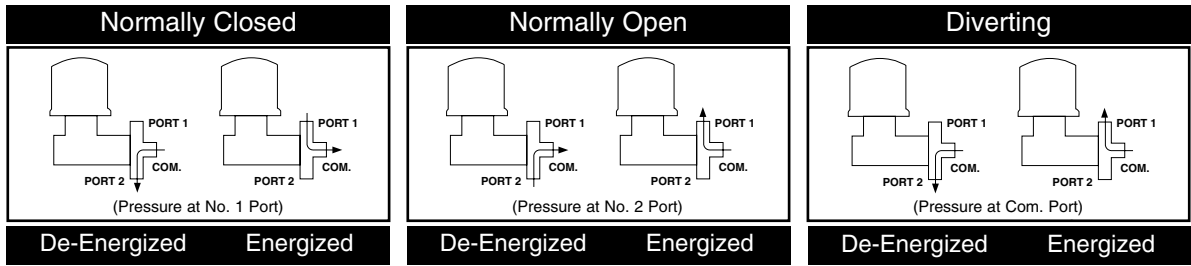




K13 – 3/8" NPT, Compact Brass Body, Universal

Valve Selection List

Universal



Pipe Size NPT	Orifice Size IN	C _v	Minimum	Operating Pressure Differential (psi)						Max Fluid Temp. °F	Power Consumption (Watts)		Coil Class	Model Code		
				Maximum							AC	DC		F*	(120V/60HZ — 110V/50HZ)	
				Water		Light Oil		#5 and #6 Heated Fuel Oil							Shown	
				AC	DC	AC	DC	AC	DC						Brass Body	
3/8	1/8	.22	0	125	—	125	—	125	—	225	14	—	F*	K13CF1232		
	1/4	.75	0	25	—	25	—	25	—	225	14	—	F*	K13CF1432		

* Class H Coil Recommended for High Temperature Applications

Part Numbering

1	2	3	4	5	6	7	8	9
K	1	3	C	F	1	2	3	2
Series			Body Size	Housing*	Seal	Orifice Size	Pipe Connection	Voltage*
K13			C: Compact	F: Class F H: Class H	1: Stainless Steel	2: 1/8" 4: 1/4"	3: 3/8"	2: 120/60 110/50 4: 240/60 220/50
* See the "Engineering Guide" for additional voltages, variations and options.								

Coil Data

Coil Family	
Type	Size
C	C225

Frequency (Hz)	60	50
Nominal Power (VA)	Inrush	120
	Holding	31

GC Valves Customer Service: 800-828-0484 (7:30am to 4pm ET) or 800-582-4232 (7:30am to 4pm PT)