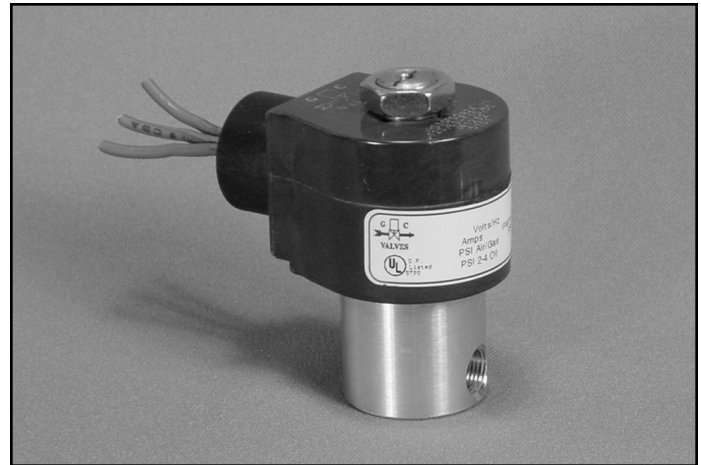


# S31 Series



- 1/8" NPT
- Brass Body
- 3-Way Direct Acting
- Normally Closed
- Free Exhaust

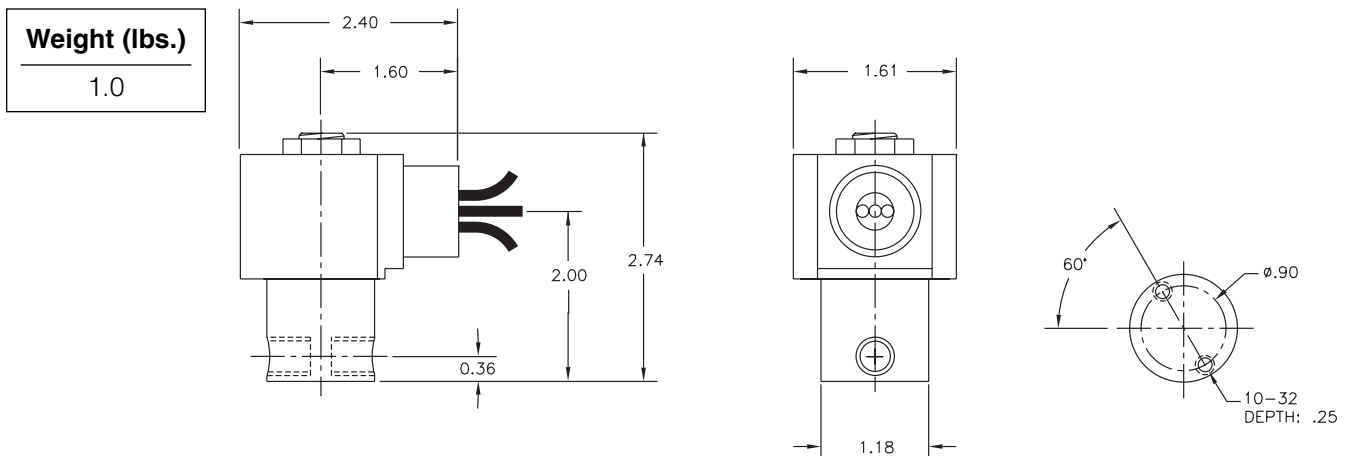


Materials	Seals:	Nitrile, Viton®, Ethylene Propylene or Teflon®
	Orifices:      Top Main	Stainless Steel Stainless Steel
Electrical	Standard Housing:	Encapsulated Waterproof Conduit (NEMA 4/4X)
	Optional Housings:	Metallic Conduit, Explosion-proof (NEMA 7), Grommet, Open Frame, Junction Box (single or dual knockouts), DIN; Contact GC Valves Customer Service for others.
	Standard Voltages:	24, 120, 240 AC 60 Hz; 50 Hz available 6, 12, 24 DC; Contact GC Valves Customer Service for Additional Voltages.
	Voltage Tolerance:	±10% of applicable voltage
	Coil Classes:	F, H, N
	Standard Lead Length:	24 inch
Operating Temperature	Ambient (Nominal):	32°F to 125°F
Mounting	Position	Any
Approvals*	Agency	UL Listed, UL Recognized, CSA Approved

\* Not available for all variations.

© Registered Trademark of DuPont Co.

## Dimensions/Weight



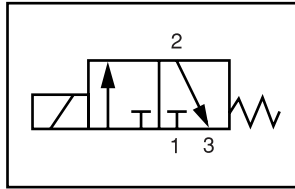
GC Valves Customer Service: 800-828-0484 (7:30am to 4pm ET) or 800-582-4232 (7:30am to 4pm PT)



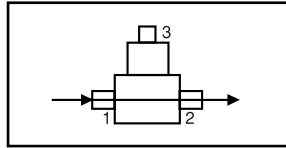
# S317 – 1/8" NPT, Brass Body, Normally Closed, Free Exhaust

## Valve Selection List

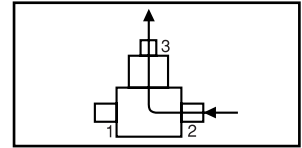
Normally Closed



Energized



De-Energized



Pipe Size NPT	Orifice Size IN		C <sub>v</sub>		Operating Pressure Differential (psi)						Max Fluid Temp. °F	Seal Material	Power Consumption (Watts)		Model Code ( 120V/60HZ — 110V/50HZ ) Shown
	Main	Top	Main	Top	Air/Gas		Water		Light Oil				AC	DC	
					AC	DC	AC	DC	AC	DC					
	Brass Body														
1/8	3/64	1/16	.05	.10	170	170	170	170	—	—	295	EPR	8	9	S317GF02C8AV1
	1/16	1/16	.08	.10	120	120	120	120	—	—	295	EPR	8	9	S317GF02C8AC5
	3/32	3/32	.20	.20	65	65	65	65	—	—	295	EPR	8	9	S317GF02C8AC9
	1/8	3/32	.27	.20	40	40	40	40	—	—	295	EPR	8	9	S317GF02C8AV3
	5/32	3/32	.41	.20	25	25	25	25	—	—	295	EPR	8	9	S317GF02C8AV7
1/8	3/64	1/16	.05	.10	170	170	170	170	170	170	180	Nitrile	8	9	S317GF02N8AV1
	1/16	1/16	.08	.10	120	120	120	120	120	120	180	Nitrile	8	9	S317GF02N8AC5
	3/32	3/32	.20	.20	65	65	65	65	65	65	180	Nitrile	8	9	S317GF02N8AC9
	1/8	3/32	.27	.20	40	40	40	40	40	40	180	Nitrile	8	9	S317GF02N8AV3
	5/32	3/32	.41	.20	25	25	25	25	25	25	180	Nitrile	8	9	S317GF02N8AV7
1/8	3/64	1/16	.05	.10	170	170	170	170	170	170	230	Viton	8	9	S317GF02V8AV1
	1/16	1/16	.08	.10	120	120	120	120	120	120	230	Viton	8	9	S317GF02V8AC5
	3/32	3/32	.20	.20	65	65	65	65	65	65	230	Viton	8	9	S317GF02V8AC9
	1/8	3/32	.27	.20	40	40	40	40	40	40	230	Viton	8	9	S317GF02V8AV3
	5/32	3/32	.41	.20	25	25	25	25	25	25	230	Viton	8	9	S317GF02V8AV7
1/8	3/64	1/16	.05	.10	170	170	170	170	170	170	366*	Teflon	8	9	S317GF02T8AV1
	1/16	1/16	.08	.10	120	120	120	120	120	120	366*	Teflon	8	9	S317GF02T8AC5
	3/32	3/32	.20	.20	65	65	65	65	65	65	366*	Teflon	8	9	S317GF02T8AC9
	1/8	3/32	.27	.20	40	40	40	40	40	40	366*	Teflon	8	9	S317GF02T8AV3
	5/32	3/32	.41	.20	25	25	25	25	25	25	366*	Teflon	8	9	S317GF02T8AV7

\* Class H Coil Recommended for High Temperature Applications

GC Valves Customer Service: 800-828-0484 (7:30am to 4pm ET) or 800-582-4232 (7:30am to 4pm PT)

# S317 – 1/8" NPT, Brass Body, Normally Closed, Free Exhaust



## Part Numbering

1	2	3	4	5	6	7	8	9	10	11	12	13
<b>S</b>	<b>3</b>	<b>1</b>	<b>7</b>	<b>G</b>	<b>F</b>	<b>0</b>	<b>2</b>	<b>C</b>	<b>8</b>	<b>A</b>	<b>V</b>	<b>1</b>
Series			Operating Mode	Housing*	Coil Class*	Voltage*		Seal Material	Body Material	Pipe Connection	Orifice Size (Main x Top)	
S31			7: Normally Closed (Free Exhaust)	G: Conduit	F: Class F	02: 120/60 110/50		C: EPR N: Nitrile V: Viton T: Teflon	8: Brass	A: 1/8" NPT	V1: 3/64" x 1/16" C5: 1/16" x 1/16" C9: 3/32" x 3/32" V3: 1/8" x 3/32" V7: 5/32" x 3/32"	
* See the "Engineering Guide" for additional voltages, variations and options.												

## Coil Data

Coil Family	
Type	Size
All	S3

Frequency (Hz)	60	50
Nominal Power (VA)	Inrush	36
	Holding	16



# **S317 – 1/8" NPT, Brass Body, Normally Closed, Free Exhaust**

**This Page Intentionally Blank**