

# H40 Series



- High Pressure
- 1/2" NPT
- Stainless Steel Body
- 2-Way Piloted Piston
- Normally Open



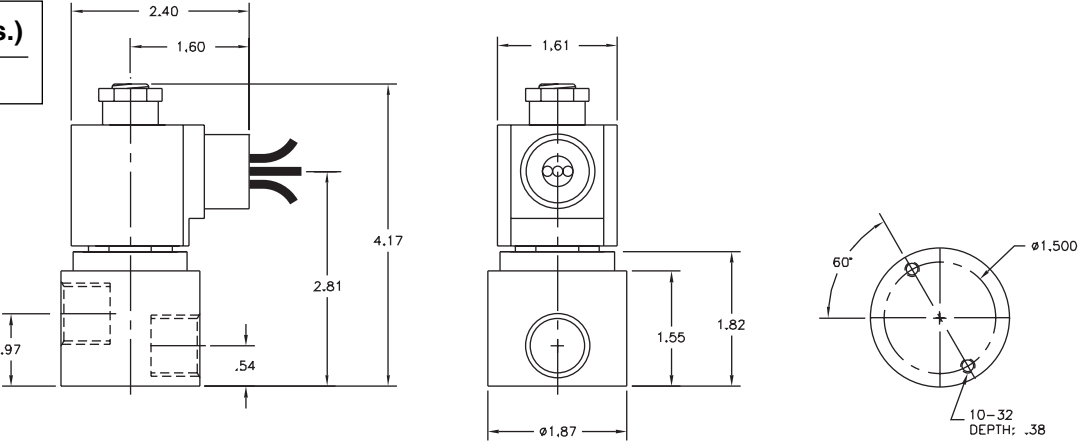
Materials	Seals:	Viton® and Teflon®
	Orifice: Pilot Main	Stainless Steel Stainless Steel Ø 3/8"
Electrical	Standard Housing:	Encapsulated Waterproof Conduit (NEMA 4/4X)
	Optional Housings:	Metallic Conduit, Explosion-proof (NEMA 7), Grommet, Open Frame, Junction Box (single or dual knockouts), DIN; Contact GC Valves Customer Service for others.
	Standard Voltages:	24, 120, 240 AC 60 Hz; 50 Hz available 6, 12, 24 DC; Contact GC Valves Customer Service for Additional Voltages.
	Voltage Tolerance:	±10% of applicable voltage
	Coil Classes:	F, H, N
	Standard Lead Length:	24 inch
Operating Temperature	Ambient (Nominal):	32°F to 125°F
Mounting	Position:	Any
Approvals*	Agency:	UL Recognized

\* Not available for all variations

® Registered Trademark of DuPont Co.

## Dimensions/Weight

**Weight (lbs.)**  
2.0



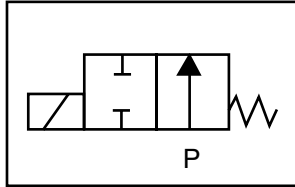
GC Valves Customer Service: 800-828-0484 (7:30am to 4pm ET) or 800-582-4232 (7:30am to 4pm PT)



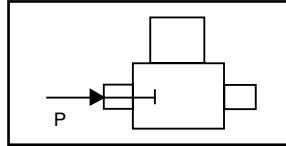
# H402 – High Pressure, 1/2" NPT, Stainless Steel Body, Normally Open

## Valve Selection List

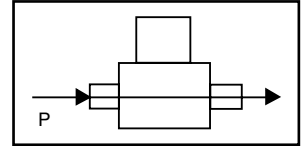
Normally Open



Energized



De-Energized



Pipe Size NPT	Orifice Size IN	C <sub>v</sub>	Minimum	Operating Pressure Differential (psi)						Max Fluid Temp. °F	Seal Material	Power Consumption (Watts)		Model Code ( 120V/60HZ — 110V/50HZ Shown )
				Maximum								AC	DC	
				Air/Gas		Water		Light Oil						
				AC	DC	AC	DC	AC	DC					
1/2	3/8	1.0	0	2200	2200	2200	2200	2200	2200	230	Viton/ Teflon	10	10	H402GF02Z1DF5
													Stainless Steel Body	

## Part Numbering

1	2	3	4	5	6	7	8	9	10	11	12	13
<b>H</b>	<b>4</b>	<b>0</b>	<b>2</b>	<b>G</b>	<b>F</b>	<b>0</b>	<b>2</b>	<b>Z</b>	<b>1</b>	<b>D</b>	<b>F</b>	<b>5</b>
Series			Operating Mode	Housing*	Coil Class*	Voltage*		Seal Material	Body Material	Pipe Connection	Orifice Size	
H40			2: Normally Open	G: Conduit	F: Class F	02: 120/60 110/50		Z: Viton/ Teflon	1: Stainless Steel	D: 1/2" NPT	F5: 3/8"	
* See the "Engineering Guide" for additional voltages, variations and options.												

## Coil Data

Coil Family	
Type	Size
All	S4

Frequency (Hz)	60	50
Nominal Power (VA)	Inrush	46
	Holding	20

GC Valves Customer Service: 800-828-0484 (7:30am to 4pm ET) or 800-582-4232 (7:30am to 4pm PT)