

S20 Series



- 1/2" NPT
- Nylon Body
- 2-Way Zero Differential
Piloted Diaphragm
- Normally Closed



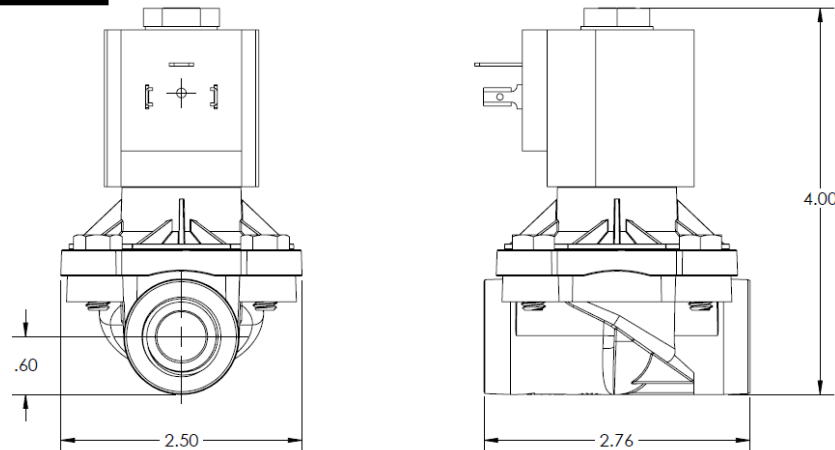
Materials	Seals:	Nitrile, FKM, EPDM
	Orifice:	Pilot Main
Electrical	Standard Housing:	Encapsulated Waterproof Conduit (NEMA 4X)
	Optional Housings:	Metal Conduit, Explosion-Proof (NEMA 7), Grommet Open Frame, Junction Box (single or dual knockouts), DIN, Contact GC Valves Customer Svc. For others.
	Standard Voltages:	24, 120, 240, AC, 60 and/or 50 Hz. Available 6, 12, 24 DC Contact GC Valves Customer Svc. For Additional Voltages
	Voltage Tolerance:	± 10% of applicable voltage
	Coil Classes:	F, H, N
	Standard Lead Length:	24 inches
Operating Temperature	Ambient (Nominal):	32° F to 125° F
Mounting	Position:	Any
Approvals*	Agency:	UL Recognized, CSA Approved, CE Certified

* Not available for all variations

Dimensions/Weight

Weight (oz.)

15.5

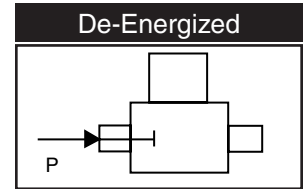
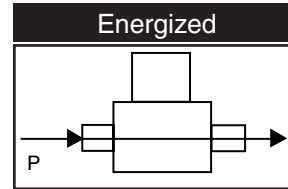
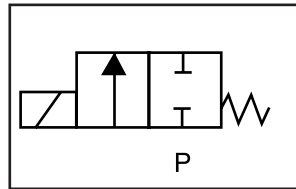




S201 – 1/2" NPT, Nylon Body, Normally Closed

Valve Selection List

Normally Closed



Pipe Size NPT	Orifice Size IN	C _v	Minimum	Operating Pressure Differential (psi)				Max Fluid Temp. °F	Seal Material	Power Consumption (Watts)		Model Code (120V/60HZ — 110V/50HZ) Shown
				Maximum						AC	DC	
				Air/Gas		Water						
				AC	DC	AC	DC			Nylon Body		
1/2	5/8	4.3	0	140	90	140	90	180	EPDM	10	10	S201GF02CPDG4
	5/8	4.3	0	140	90	140	90	180	Nitrile	10	10	S201GF02NPDG4
	5/8	4.3	0	140	90	140	90	180	Viton	10	10	S201GF02VPDG4

Part Numbering

1	2	3	4	5	6	7	8	9	10	11	12	13
S	2	0	1	G	F	0	2	C	P	D	G	4
Series			Operating Mode	Housing*	Coil Class*	Voltage*		Seal Material	Body Material	Pipe Connection	Orifice Size	
S20			1: Normally Closed	G: Conduit Y: DIN	F: Class F	02: 120/60 110/50		C: EPDM N: Nitrile V: Viton	P: Nylon	D: 1/2" NPT	G4: 5/8"	
* See the "Engineering Guide" for additional voltages, variations and options.												

Coil Data

Coil Family	
Type	Size
All	S4

Frequency (Hz)	60	50
Nominal Power (VA)	Inrush	46
	Holding	18

GC Valves Customer Service: 800-828-0484 (7:30 am to 5:00 pm ET)