

- 1 1/2" NPT
- Brass Body
- 2-Way Piloted Diaphragm
- Normally Closed

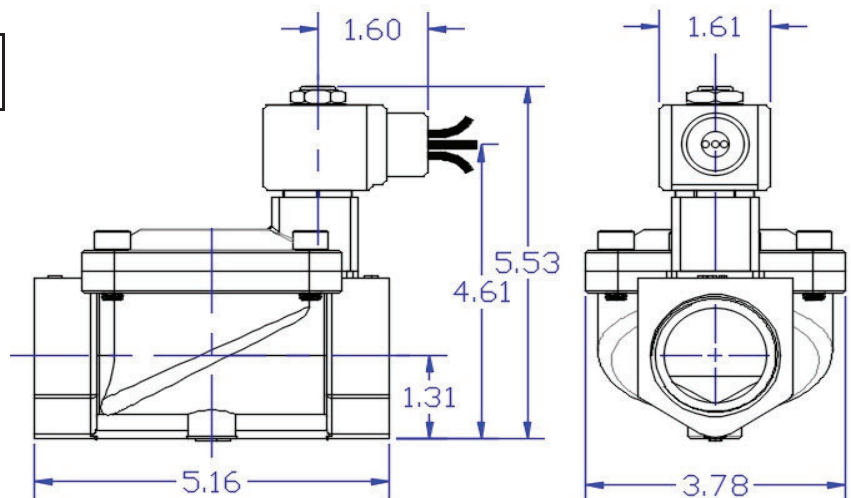


Materials	Seals:	Nitrile, Viton®, Ethylene Propylene
	Orifice:	Brass
Electrical	Standard Housing:	Encapsulated Waterproof Conduit (NEMA 4X)
	Optional Housings:	Metal Conduit, Explosion-Proof (NEMA 7), Grommet Open Frame, Junction Box (single or dual knockouts), DIN, Contact GC Valves Customer Svc. For others.
	Standard Voltages:	24, 120, 240, AC, 60 and/or 50 Hz. Available 6, 12, 24 DC Contact GC Valves Customer Svc. For Additional Voltages
	Voltage Tolerance:	± 10% of applicable voltage
	Coil Classes:	F, H, N
	Standard Lead Length:	24 inches
Operating Temperature	Ambient (Nominal):	32° F to 125° F
Mounting	Position:	Upright and Vertical
Approvals*	Agency:	UL Recognized, CSA Approved

\* Not available for all variations

## Dimensions / Weight

<b>Weight (Lbs.)</b>
6

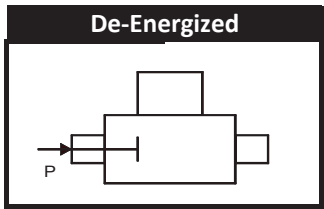
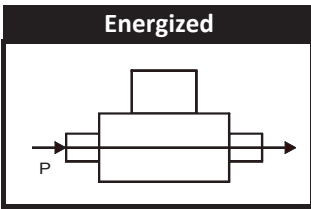
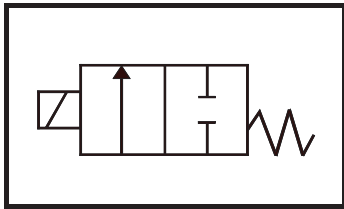




# S711 - 1 1/2" NPT, Brass Body, Normally Closed

## Valve Selection List

Normally Closed



Pipe Size NPT	Orifice Size IN	CV	Minimum	Operating Pressure Differential (psi)								Max Fluid Temp. °F	Seal Material	Power Consumption (Watts)		Model Code ( 120V/60HZ — 110V/50HZ Shown )
				Maximum										AC	DC	
				Air/Gas		Water		Light Oil		Steam*						
				AC	DC	AC	DC	AC	DC	AC	DC			AC	DC	Brass Body
1 1/2	1 1/2	30	8	200	150	150	150	—	—	—	—	295	EPR	8	9	S711GF02C9HJ5
	1 1/2	30	8	200	150	150	150	100	100	—	—	180	Nitrile	8	9	S711GF02N9HJ5
	1 1/2	30	8	200	150	150	150	100	100	—	—	230	Viton	8	9	S711GF02V9HJ5
	1 1/2	30	8	—	—	—	—	—	—	50*	50*	295	EPR	8	9	S711GH02C9HJ5

\* Class H Coil Recommended for Steam and Other High Temperature Applications

## Part Numbering

1	2	3	4	5	6	7	8	9	10	11	12	13
<b>S</b>	<b>7</b>	<b>1</b>	<b>1</b>	<b>G</b>	<b>F</b>	<b>0</b>	<b>2</b>	<b>C</b>	<b>9</b>	<b>H</b>	<b>J</b>	<b>5</b>
Series			Operating Mode	Housing*	Coil Class*	Voltage*		Seal Material	Body Material	Pipe Connection	Orifice Size	
S71			1: Normally Closed	G: Conduit	F: Class F H: Class H	02: 120/60 110/50		C: EPR N: Nitrile V: Viton	9: Brass	H: 1 1/2" NPT	J5: 1 1/2"	
* See the "Engineering Guide" for additional voltages, variations and options.												

## Coil Data

Coil Family	
Type	Size
All	S3

Frequency (Hz)		60	50
Nominal Power (VA)	Inrush	36	36
	Holding	13	14

GC Valves Customer Service: 800-828-0484 (7:30 AM to 5:00 PM ET)