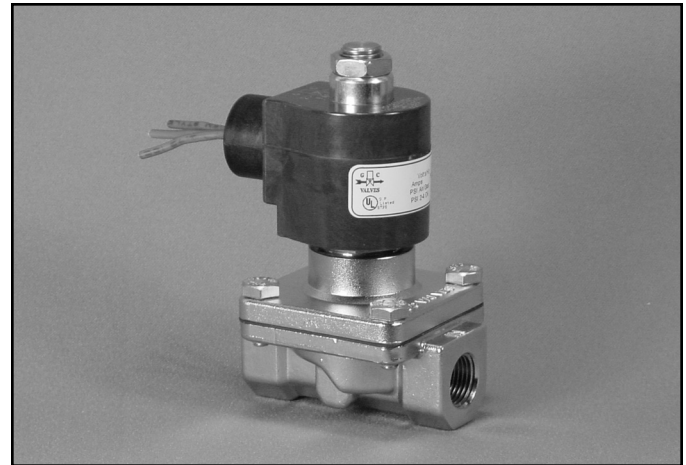


- 3/8" NPT
- Stainless Steel Body
Type 316
- 2-Way Piloted Diaphragm
- Normally Open

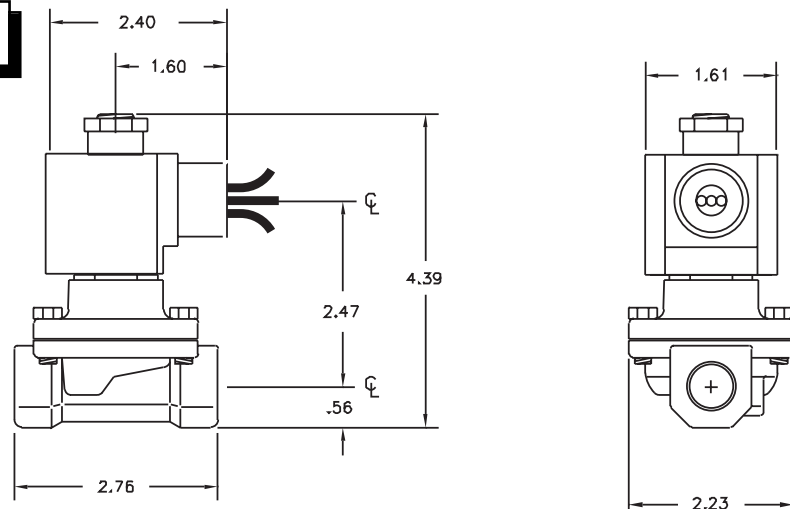


Materials	Seals:	Santoprene/NSF Approved EPDM
	Orifice: Pilot Main	Stainless Steel Stainless Steel Ø 5/8"
Electrical	Standard Housing:	NEAM 4/4X Encapsulated - 1/2" Conduit
	Optional Housings:	Contact GC Valves Customer Service for available options.
	Standard Voltages:	24, 120, 240 AC 60 Hz; 50 Hz available 6, 12, 24 DC; Contact GC Valves Customer Service for Additional Voltages.
	Voltage Tolerance:	±10% of applicable voltage
	Coil Classes:	F, H, N
	Standard Lead Length:	24 inch
Operating Temperature	Ambient (Nominal):	32°F to 125°F
Mounting	Position:	Any
Approvals*	Agency:	NSF/ANSI - 61-G / NSF-372 / UR Recognized

* Not available for all variations

Dimensions/Weight

Weight (lbs.)
2.5

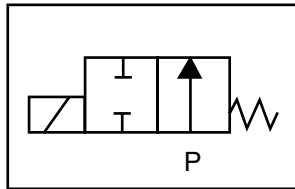




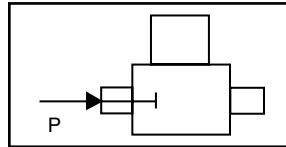
NS212 – 3/8" NPT, Stainless Steel Body, Type 316, Normally Open

Valve Selection List

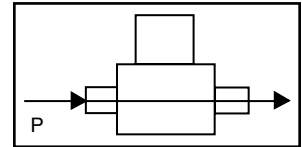
Normally Open



Energized



De-Energized



Pipe Size NPT	Orifice Size IN	C _v	Minimum	Operating Pressure Differential (psi)								Max Fluid Temp. °F	Seal Material	Power Consumption (Watts)		Model Code (120V/60HZ — 110V/50HZ Shown)
				Maximum										AC	DC	
				Air/Gas		Water		Light Oil		Steam*						Stainless Steel Body Type 316
AC	DC	AC	DC	AC	DC	AC	DC	AC	DC	AC	DC					
3/8	5/8	3.3	3	—	—	200	125	—	—	—	—	176	EPR SANTO	11	10	NS212GF02F7CG4

* Class H Coil Recommended for Steam and Other High Temperature Applications

Part Numbering

1	2	3	4	5	6	7	8	9	10	11	12	13	14
N	S	2	1	2	G	F	0	2	F	7	C	G	4
Series				Operating Mode	Housing*	Coil Class*	Voltage*		Seal Material	Body Material	Pipe Connection	Orifice Size	
NS21				2: Normally Open	G: Conduit	F: Class F H: Class H	02: 120/60 110/50		F: SANTO/ EPDM	7: 316 SS	C: 3/8" NPT	G4: 5/8"	
* See the "Engineering Guide" for additional voltages, variations and options.													

Coil Data

Coil Family	
Type	Size
ALL	S4

Frequency (Hz)	60	50
Nominal Power (VA)		
Inrush	46	46
Holding	22	25

GC Valves Customer Service: 800-828-0484 (7:30am to 4pm ET) or 800-582-4232 (7:30am to 4pm PT)