



# NS201 Series



- 3/4" NPT
- Nylon Body
- 2-Way Zero Differential  
Piloted Diaphragm
- Normally Closed

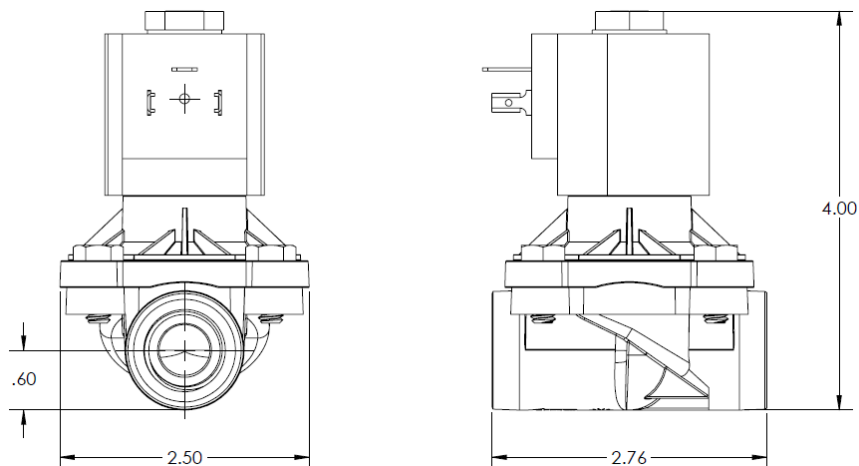


Materials	Seals:	NSF Approved EPDM
	Orifice:	Pilot Main
Electrical	Housing:	NEMA 4/4X Encapsulated - 1/2" Conduit
	Optional Housings:	DIN
	Standard Voltages:	24, 120, 240, AC, 60 and/or 50 Hz. Available 6, 12, 24 DC Contact GC Valves Customer Svc. For Additional Voltages
	Voltage Tolerance:	± 10% of applicable voltage
	Coil Classes:	F, H, N
	Standard Lead Length:	24 inches
Operating Temperature	Ambient (Nominal):	32° F to 125° F
Mounting	Position:	Any
Approvals*	Agency:	NSF/ANSI - 61-G / NSF-372 / UR Recognized

\* Not available for all variations

## Dimensions/Weight

<b>Weight (oz.)</b>
15.5



GC Valves Customer Service: 800-828-0484 (7:30 AM to 5:00 PM ET)

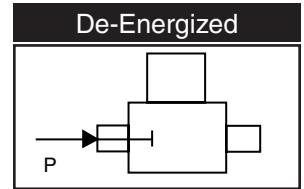
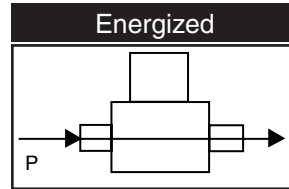
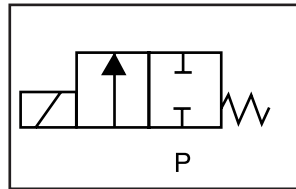
3/4-P-NS201-1



# S201 – 3/4" NPT, Nylon Body, Normally Closed

## Valve Selection List

Normally Closed



Pipe Size	Orifice Size	C <sub>v</sub>	Minimum	Operating Pressure Differential (psi)				Max Fluid Temp. °F	Seal Material	Power Consumption (Watts)		Model Code ( 120V/60HZ — 110V/50HZ Shown )
				Maximum						AC	DC	
				Air/Gas		Water						AC
NPT	IN			AC	DC	AC	DC				Nylon Body	
3/4	3/4	6.7	0	--	--	140	90	180	EPDM	10	10	NS201GF02CPEG5

## Part Numbering

1	2	3	4	5	6	7	8	9	10	11	12	13	14
<b>N</b>	<b>S</b>	<b>2</b>	<b>0</b>	<b>1</b>	<b>G</b>	<b>F</b>	<b>0</b>	<b>2</b>	<b>C</b>	<b>P</b>	<b>E</b>	<b>G</b>	<b>5</b>
Series				Operating Mode	Housing*	Coil Class*	Voltage*		Seal Material	Body Material	Pipe Connection	Orifice Size	
NS20				1: Normally Closed	G: Conduit Y: DIN	F: Class F	02: 120/60 110/50		C: EPDM	P: Nylon	E: 3/4" NPT	G5: 3/4"	
* See the "Engineering Guide" for additional voltages, variations and options.													

## Coil Data

Coil Family	
Type	Size
All	S4

Frequency (Hz)	60	50
Nominal Power (VA)	Inrush	46
	Holding	18

GC Valves Customer Service: 800-828-0484 (7:30 am to 5:00 pm ET)