



# NS201 Series



- 3/4" NPT
- 316 SS Body
- 2-Way Zero Differential  
Piloted Diaphragm
- Normally Closed

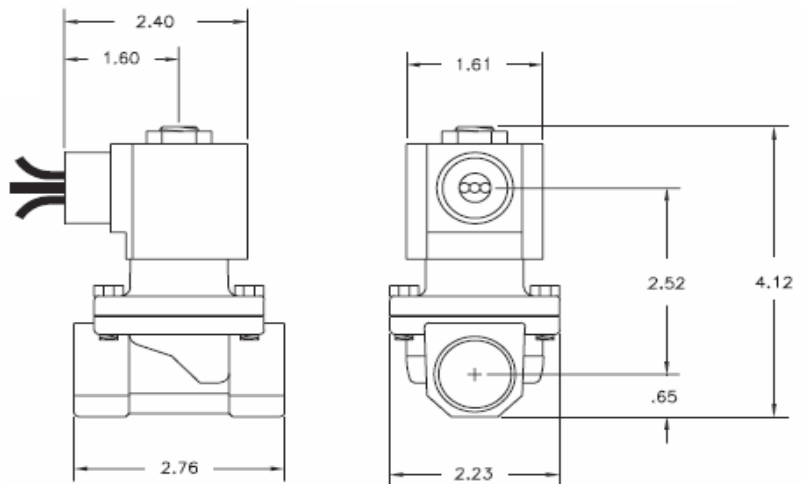


Materials	Seals:	Santoprene/NSF Approved EPDM
	Orifice:	Pilot Main
Electrical	Housing:	NEMA 4/4X Encapsulated - 1/2" Conduit
	Optional Housings:	Contact GC Valves Customer Svc. for available options.
	Voltage:	24,120,240, VAC, 60 and/or 50 Hz. Available. 6, 12, 24 VDC Contact GC Valves Customer Svc. for available options.
	Voltage Tolerance:	± 10% of applicable voltage
	Coil Classes:	F, H, N
	Standard Lead Length:	24 inches
Operating Temperature	Ambient (Nominal):	32° F to 125° F
Mounting	Position:	Any
Approvals*	Agency:	NSF/ANSI - 61-G / NSF-372 / UR Recognized

\* Not available for all variations

## Dimensions / Weight

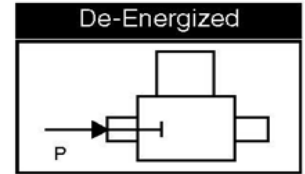
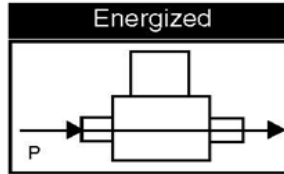
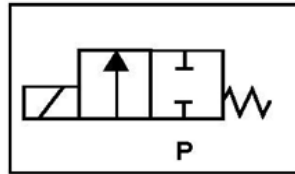
<b>Weight (lbs.)</b>
2



GC Valves Customer Service: 800-828-0484 (7:30 AM to 5:00 PM ET)

# Valve Selection List

Normally Closed



Pipe Size NPT	Orifice Size IN	C <sub>v</sub>	Minimum	Operating Pressure Differential (psi)						Max Fluid Temp. °F	Seal Material Santo EPR	Power Consumption (Watts)		Model Code ( 120V/60HZ — 110V/50HZ ) Shown	
				Maximum								AC	DC		
				Air/Gas		Water		Light Oil						Steam*	Stainless Steel Body Type 316
3/4	3/4	6.7	0	—	—	100	90	—	—	—	295	Santo EPR	10	10	NS201GF02F7EG5

\* Class H Coil Recommended for Steam and Other High Temperature Applications

## Part Numbering

1	2	3	4	5	6	7	8	9	10	11	12	13	14
<b>N</b>	<b>S</b>	<b>2</b>	<b>0</b>	<b>1</b>	<b>G</b>	<b>F</b>	<b>0</b>	<b>2</b>	<b>F</b>	<b>7</b>	<b>E</b>	<b>G</b>	<b>5</b>
Series				Operating Mode	Housing*	Coil Class*	Voltage*		Seal Material	Body Material	Pipe Connection	Orifice Size	
NS20				1: Normally Closed	G: 1/2" Conduit	F: Class F N: Class N	02: 110/120 50/60 Hz 10 Watt		F: Santoprene/ EPDM	7: S. Steel	E: 3/4" NPT	G5: 3/4"	

## Coil Data

Coil Family	
Type	Size
All	S4

Frequency (Hz)	60	50
Nominal Power (VA)	Inrush	46
	Holding	18

GC Valves Customer Service: 800-828-0484 (7:30 AM to 5:00 PM ET)