

- 1/2" NPT
- Nylon Body
- 2-Way
- Piloted Diaphragm
- Normally Open



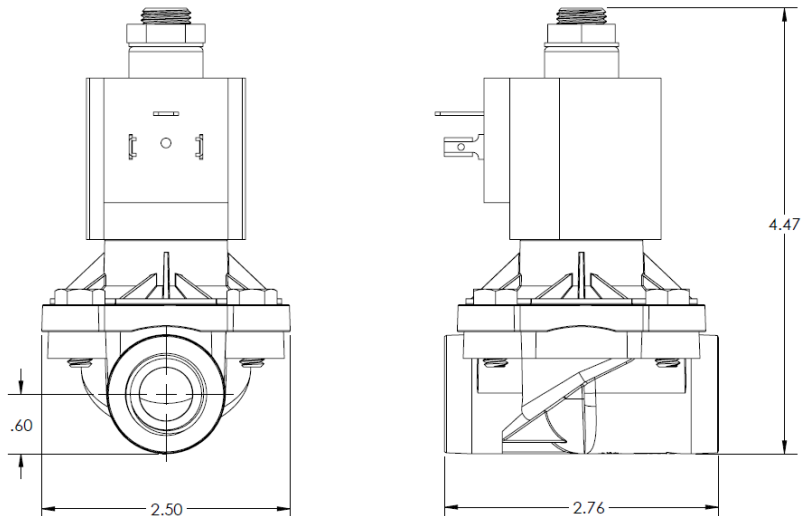
Materials	Seals:	NSF Approved EPDM
	Orifice:	Pilot: Stainless Steel Main: Nylon
Electrical	Housing:	NEMA 4/4X Encapsulated - 1/2" Conduit
	Optional Housings:	DIN
	Standard Voltages:	24, 120, 240, AC, 60 and/or 50 Hz. Available 6, 12, 24 DC Contact GC Valves Customer Svc. For Additional Voltages
	Voltage Tolerance:	± 10% of applicable voltage
	Coil Classes:	F, H, N
	Standard Lead Length:	24 inches
Operating Temperature	Ambient (Nominal):	32° F to 125° F
Mounting	Position:	Any
Approvals*	Agency:	NSF/ANSI - 61-G / NSF-372 / UR Recognized

* Not available for all variations

Dimensions/Weight

Weight (oz.)

15.7

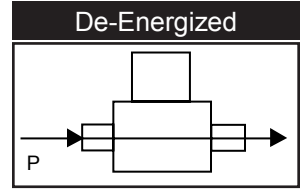
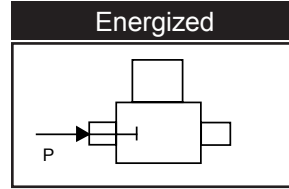
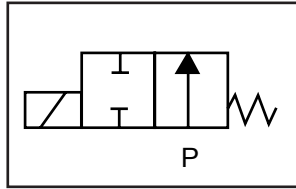




NS212 – 1/2" NPT, Nylon Body, Normally Open

Valve Selection List

Normally Open



Pipe Size NPT	Orifice Size IN	C _v	Minimum	Operating Pressure Differential (psi)				Max Fluid Temp. °F	Seal Material	Power Consumption (Watts)		Model Code (120V/60HZ — 110V/50HZ Shown)
				Maximum						AC	DC	
				Air/Gas		Water						
				AC	DC	AC	DC			Nylon Body		
1/2	5/8	3.3	3	-	-	200	125	180	EPDM	11	10	NS212GF02FPDG4

Part Numbering

1	2	3	4	5	6	7	8	9	10	11	12	13	14
N	S	2	1	2	G	F	0	2	C	P	D	G	4
Series				Operating Mode	Housing*	Coil Class*	Voltage*		Seal Material	Body Material	Pipe Connection	Orifice Size	
NS21				2: Normally Open	G: Conduit Y: DIN	F: Class F	02: 120/60 110/50		C: EPDM	P: Nylon	D: 1/2" NPT	G4: 5/8"	
* See the "Engineering Guide" for additional voltages, variations and options.													

Coil Data

Coil Family	
Type	Size
ALL	S4

Frequency (Hz)	60	50
Nominal Power (VA)	Inrush	46
	Holding	22

GC Valves Customer Service: 800-828-0484 (7:30 AM to 5:00 PM ET)