



NS211 Series



- 1/2" NPT
- Nylon Body
- 2-Way
- Piloted Diaphragm
- Normally Closed

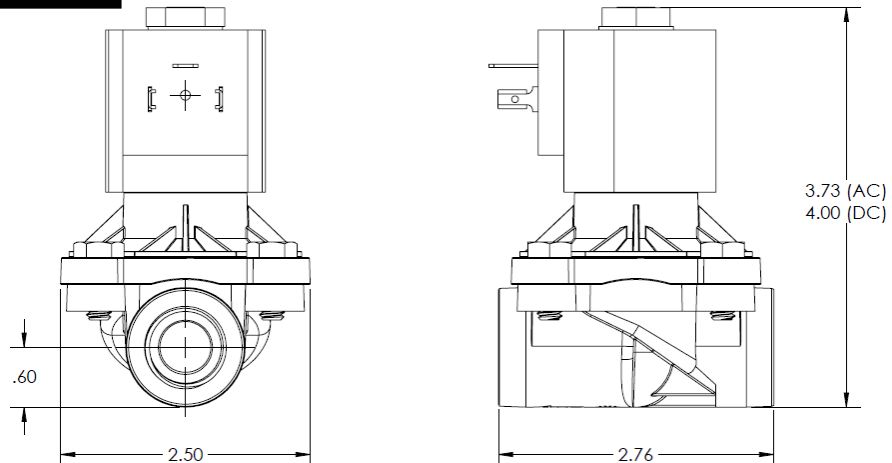


Materials	Seals:	NSF Approved EPDM
	Orifice:	Pilot Main
Electrical	Housing:	NEMA 4/4X Encapsulated - 1/2" Conduit
	Optional Housings:	DIN
	Standard Voltages:	24, 120, 240, AC, 60 and/or 50 Hz. Available 6, 12, 24 DC Contact GC Valves Customer Svc. For Additional Voltages
	Voltage Tolerance:	± 10% of applicable voltage
	Coil Classes:	F, H, N
	Standard Lead Length:	24 inches
Operating Temperature	Ambient (Nominal):	32° F to 125° F
Mounting	Position:	Any
Approvals*	Agency:	NSF/ANSI - 61-G / NSF-372 / UR Recognized

* Not available for all variations

Dimensions/Weight

Weight (oz.)
13.6

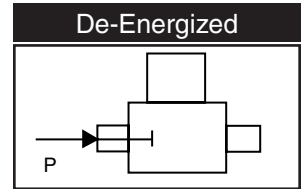
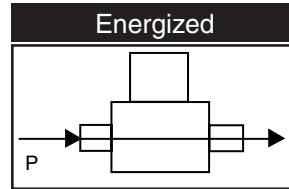
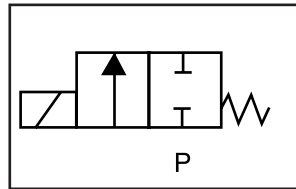




S211 – 1/2" NPT, Nylon Body, Normally Closed

Valve Selection List

Normally Closed



Pipe Size	Orifice Size	C _v	Minimum	Operating Pressure Differential (psi)				Max Fluid Temp. °F	Seal Material	Power Consumption (Watts)		Model Code (120V/60HZ — 110V/50HZ Shown)
				Maximum		Water				AC	DC	
				AC	DC	AC	DC					
NPT	IN											Nylon Body
1/2	5/8	4.3	4	--	--	150	100	180	EPDM	8	10	NS211GF02CPDG4

Part Numbering

1	2	3	4	5	6	7	8	9	10	11	12	13	14
N	S	2	1	1	G	F	0	2	C	P	D	G	4
Series				Operating Mode	Housing*	Coil Class*	Voltage*		Seal Material	Body Material	Pipe Connection	Orifice Size	
NS21				1: Normally Closed	G: Conduit Y: DIN	F: Class F	02: 120/60 110/50		C: EPDM	P: Nylon	D: 1/2" NPT	G4: 5/8"	
* See the "Engineering Guide" for additional voltages, variations and options.													

Coil Data

Coil Family	
Type	Size
AC	S3
DC	S4

Frequency (Hz)	60	50	
Nominal Power (VA)	Inrush	36	36
	Holding	13	14

GC Valves Customer Service: 800-828-0484 (7:30 am to 5:00 pm ET)