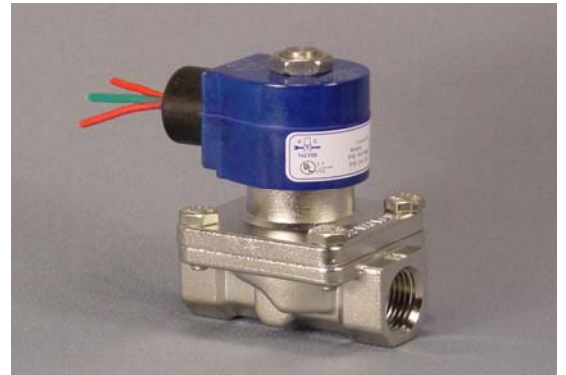




NS211 Series



- 1/2" NPT
- 316 SS Body
- 2-Way
- Piloted Diaphragm
- Normally Closed

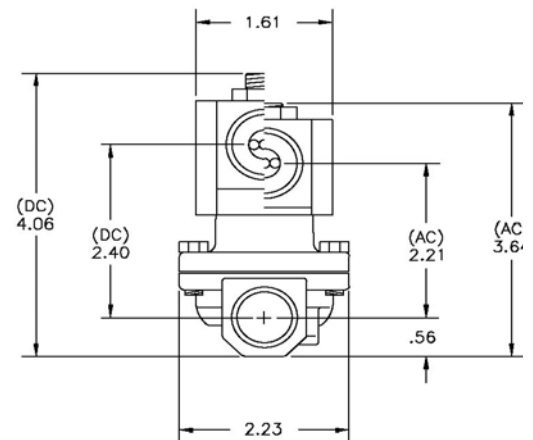
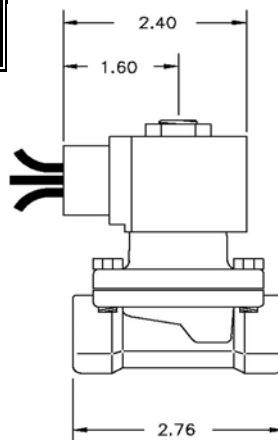


Materials	Seals:	Santoprene/NSF Approved EPDM
	Orifice:	Pilot Main
Electrical	Housing:	NEMA 4/4X Encapsulated - 1/2" Conduit
	Optional Housings:	Contact GC Valves Customer Svc. for available options.
	Voltage:	24, 120, 240, VAC, 60 and/or 50 Hz. Available. 6, 12, 24 VDC Contact GC Valves Customer Svc. for available options.
	Voltage Tolerance:	± 10% of applicable voltage
	Coil Classes:	F, H, N
	Standard Lead Length:	24 inches
Operating Temperature	Ambient (Nominal):	32° F to 125° F
Mounting	Position:	Any
Approvals*	Agency:	NSF/ANSI - 61-G / NSF-372 / UR Recognized

* Not available for all variations

Dimensions / Weight

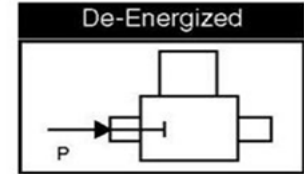
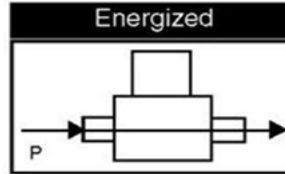
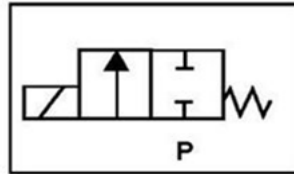
Weight (lbs.)
1.8



GC Valves Customer Service: 800-828-0484 (7:30 AM to 5:00 PM ET)

Valve Selection List

Normally Closed



Pipe Size NPT	Orifice Size IN	C _v	Minimum	Operating Pressure Differential (psi)								Max Fluid Temp. °F	Seal Material	Power Consumption (Watts)		Model Code (120V/60HZ — 110V/50HZ Shown)
				Maximum										AC	DC	
				Air/Gas		Water		Light Oil		Steam*						
1/2	5/8	4.3	4	—	—	150	100	—	—	—	295	Santo EPR	8	10	NS211GF02F7DG4	

* Class H Coil Recommended for Steam and Other High Temperature Applications

Part Numbering

1	2	3	4	5	6	7	8	9	10	11	12	13	14
N	S	2	1	1	G	F	0	2	F	7	D	G	4
Series				Operating Mode	Housing*	Coil Class*	Voltage*		Seal Material	Body Material	Pipe Connection	Orifice Size	
NS21				1: Normally Closed	G: 1/2" Conduit	F: Class F N: Class N	02: 110/120 50/60 Hz 10 Watt		F: Santoprene/ EPDM	7: S. Steel	D: 1/2"	G4: 5/8"	

Coil Data

Coil Family	
Type	Size
AC	S3
DC	S4

Frequency (Hz)		60	50
Nominal Power (VA)	Inrush	46	46
	Holding	18	23

GC Valves Customer Service: 800-828-0484 (7:30 AM to 5:00 PM ET)