



- 1 1/2" NPT
- Lead Free Brass Body
- 2-Way Piloted Diaphragm
- Normally Closed

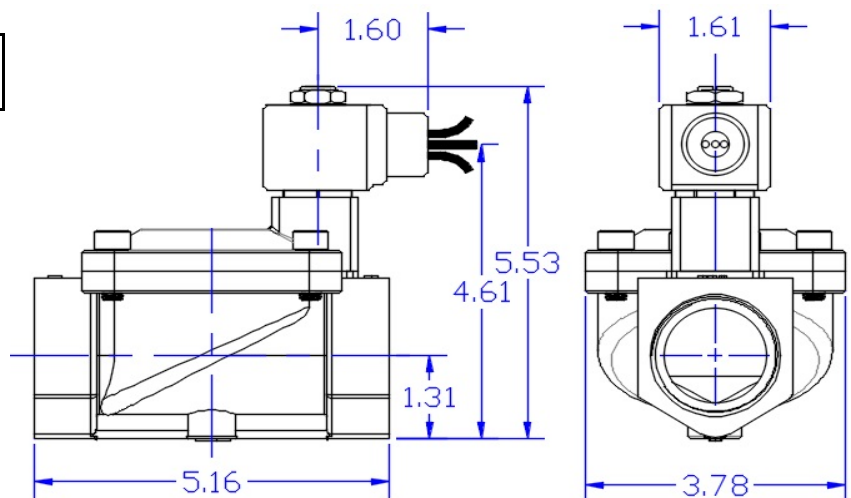


Materials	Seals:	NSF Approved Ethylene Propylene
	Orifice:	Lead Free Brass
Electrical	Standard Housing:	Encapsulated Waterproof Conduit (NEMA 4X)
	Optional Housings:	Metal Conduit, Explosion-Proof (NEMA 7), Grommet Open Frame, Junction Box (single or dual knockouts), DIN, Contact GC Valves Customer Svc. For others.
	Standard Voltages:	24, 120, 240, AC, 60 and/or 50 Hz. Available 6, 12, 24 DC Contact GC Valves Customer Svc. For Additional Voltages
	Voltage Tolerance:	± 10% of applicable voltage
	Coil Classes:	F, H, N
	Standard Lead Length:	24 inches
Operating Temperature	Ambient (Nominal):	32° F to 125° F
Mounting	Position:	Upright and Vertical
Approvals*	Agency:	NSF/ANSI - 61/ NSF-372/ UR -CSA Recognized

* Not available for all variations

Dimensions / Weight

Weight (Lbs.)
6



GC Valves Customer Service: 800-828-0484 (7:30 AM to 5:00 PM ET)

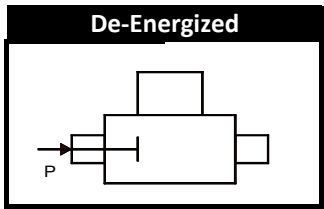
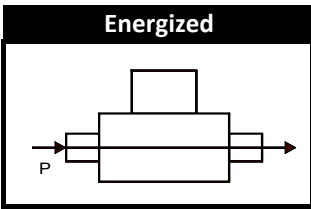
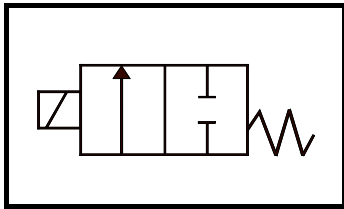
1-1-2-B-NS711-1



NS711 - 1 1/2" NPT, Lead Free Brass Body, Normally Closed

Valve Selection List

Normally Closed



Pipe Size	Orifice Size	Cv	Operating Pressure Differential (PSI)								Max. Fluid Temp.	Seal Material	Power Consumption (Watts)		Model Code		
			Minimum	Maximum									°F	AC	DC	(120V/60HZ-110V/50HZ) Shown	
				Air/Gas		Water		Light Oil		Steam*						Lead Free Brass Body	
NPT	In.		AC	DC	AC	DC	AC	DC	AC	DC			AC	DC	NS711GF02C9HJ5		
1 1/2	1 1/2	30	8	200	150	200	150	---	---	50	50	295	EPR	8	9		

Part Numbering

1	2	3	4	5	6	7	8	9	10	11	12	13
NS	7	1	1	G	F	0	2	C	9	H	J	5
Series		Operating Mode	Hsg	Coil	Voltage			Seal Mat'l	Body Mat'l	Pipe Size	Orifice Size	
NS71		1: N.C.	G: Conduit Y: DIN A: Conduit U: J-Box P Opn Frame	F: F Class H: H Class	02: 120/60 110/50 04: 240/60 220/50 24: 24/60 24/50 15: 12 VDC 16: 24 VDC			C: EPDM	9: Lead Free Brass	H: 1 1/2"	J5: 1 1/2"	

Coil Data

Coil Family	
Type	Size
All	S3

Frequency (Hz)		60	50
Nominal Power (VA)	Inrush	36	36
	Holding	13	14

GC Valves Customer Service: 800-828-0484 (7:30 AM to 5:00 PM ET)